

## Mounting brackets aluminium

### Item description/product images



### Description

**Material:**

Aluminium 3.2163.

**Version:**

Black.

**Note:**

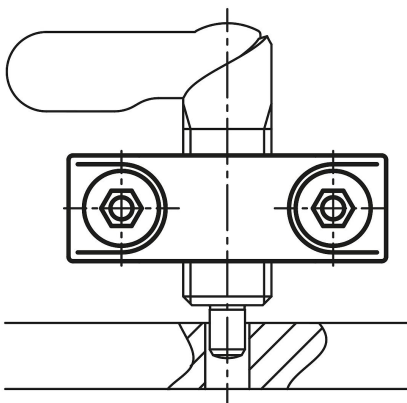
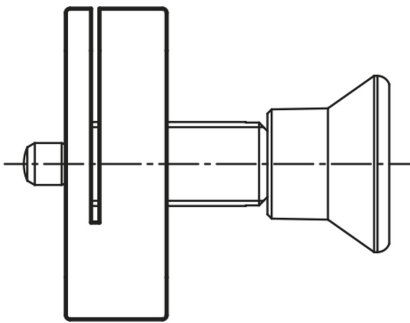
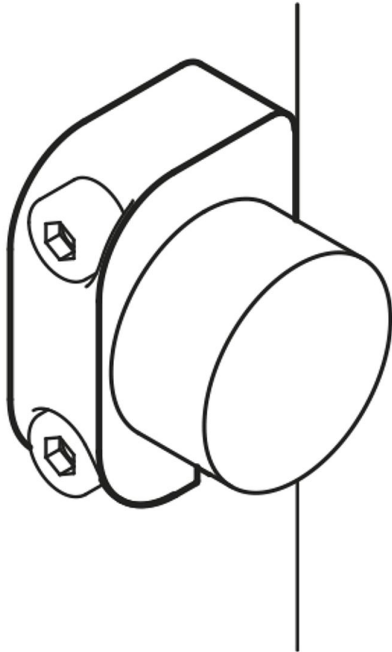
These mounting brackets are an assembly aid for cam-action and other indexing plungers and expand the application field. They can also be used with other elements that have a suitable thread.

Fastened using DIN 912 / ISO 4762 cap screws.

**Drawing reference:**

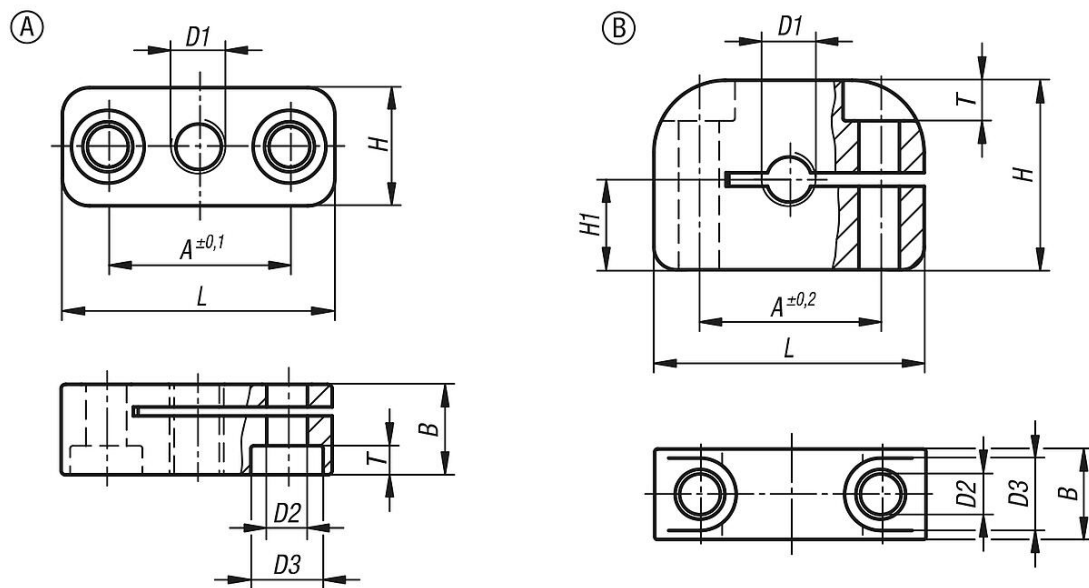
Form A: fastening holes parallel to thread

Form B: fastening holes perpendicular to thread



# Mounting brackets aluminium

## Drawings



## Overview of items

### Mounting bracket aluminium

Order No.	Form	D1	D2	D3	A	B	H	H1	L	T
K0638.306	A	M6	4,5	8	20	10	13	-	30	3,2
K0638.3061	A	M6x0,75	4,5	8	20	10	13	-	30	3,2
K0638.308	A	M8	4,5	8	20	10	13	-	30	3,2
K0638.3081	A	M8x1	4,5	8	20	10	13	-	30	3,2
K0638.310	A	M10	5,5	10	24	12	18	-	37	3,9
K0638.3101	A	M10x1	5,5	10	24	12	18	-	37	3,9
K0638.312	A	M12	5,5	10	24	12	18	-	37	3,9
K0638.3121	A	M12x1,5	5,5	10	24	12	18	-	37	3,9
K0638.316	A	M16	5,5	10	32	15	25	-	46	3,9
K0638.3161	A	M16x1,5	5,5	10	32	15	25	-	46	3,9
K0638.320	A	M20	5,5	10	32	15	25	-	46	3,9
K0638.3201	A	M20x1,5	5,5	10	32	15	25	-	46	3,9
K0638.406	B	M6	4,5	8	20	10	21	10	30	4,5
K0638.4061	B	M6x0,75	4,5	8	20	10	21	10	30	4,5
K0638.408	B	M8	4,5	8	20	10	21	10	30	4,5
K0638.4081	B	M8x1	4,5	8	20	10	21	10	30	4,5
K0638.410	B	M10	5,5	10	24	12	26	13	36	5,5
K0638.4101	B	M10x1	5,5	10	24	12	26	13	36	5,5
K0638.412	B	M12	5,5	10	24	12	26	13	36	5,5
K0638.4121	B	M12x1,5	5,5	10	24	12	26	13	36	5,5
K0638.416	B	M16	5,5	10	32	15	29	17	46	5,5
K0638.4161	B	M16x1,5	5,5	10	32	15	29	17	46	5,5
K0638.420	B	M20	5,5	10	32	15	29	17	46	5,5
K0638.4201	B	M20x1,5	5,5	10	32	15	29	17	46	5,5