

## Clamping spindles with vulcanized neoprene thrust pad

### Item description/product images



### Description

#### Material:

Threaded spindle, washers and nuts steel.  
Thrust pad neoprene.

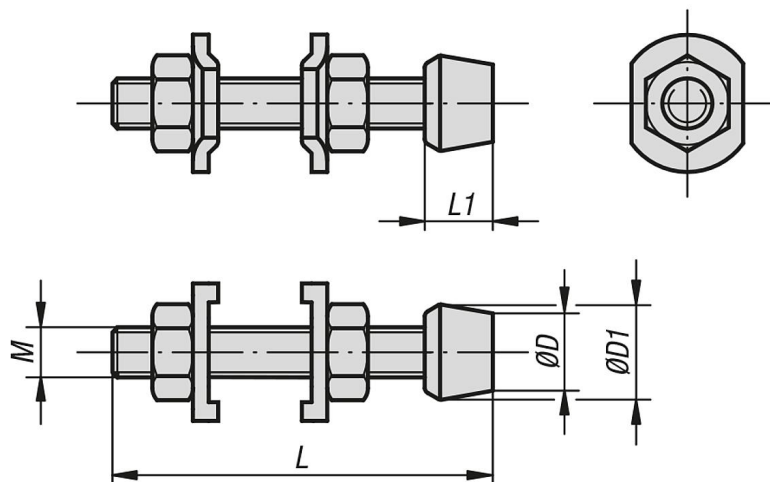
#### Version:

Threaded spindle and washers electro zinc-plated.  
Nuts black oxidised.

#### Note:

The clamping spindle K0103.04032 is supplied with one nut.

### Drawings



### Overview of items

#### Clamping spindles with vulcanised neoprene thrust pad

Order No.	M	L	L1	D	D1
K0103.04032	M4	32	10	8	12
K0103.05038	M5	38	11	11,5	14
K0103.06045	M6	44	14	10	16
K0103.08065	M8	63	19	13	19
K0103.10085	M10	85	26	15	24
K0103.12100	M12	100	26	25	31

