

Toggle presses for pneumatic operation

Item description/product images



Description

Material:

Press stand cast steel.

Pneumatic push-pull clamp see K0093 and K0094.

Version:

Press stand painted black.

For pneumatic push-pull clamp see K0093 and K0094.

Note:

Double-acting cylinder without end position damping. Pneumatic push-pull clamps can be re-ordered as a complete assembly kit. See K0093, K0094 for specifications and clamping forces.

Accessory:

K0093

K0094

K0101

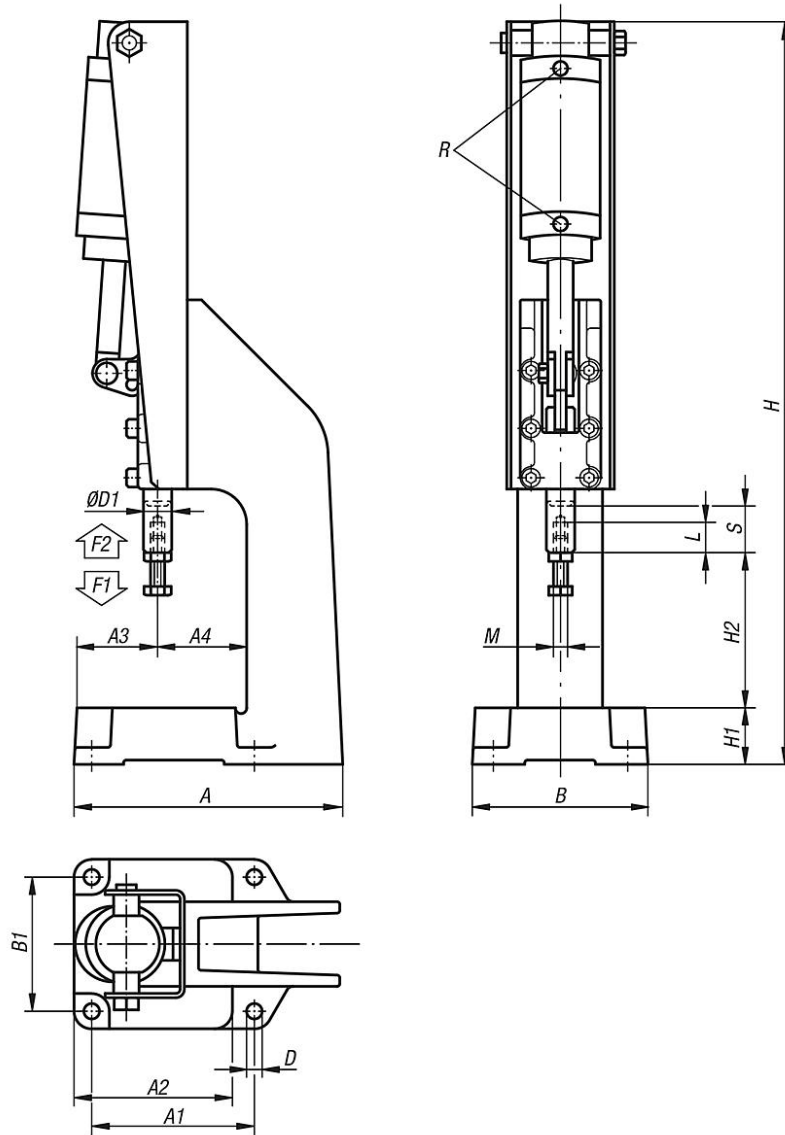
K0102

K0103

K0106

Toggle presses for pneumatic operation

Drawings



Overview of items

Toggle presses for pneumatic operation

Order No.	A	A1	A2	A3	A4	B	B1	D	D1	H	H1	H2	L	M	R	Travel S	Retaining force F2 N	Operating pressure bar	Air consumption per cycle	strokes per min. at 6 bar
K0096.0600	150	95	94	47,5	52,5	100	80	9	14	432	30	75	30	M8	G1/8	25	6000	2 - 6	0,09 dm ³	60
K0096.1200	192	115	112	57	63	120	95	11	20	575	40	100	40	M10	G1/8	32	12000	2 - 6	0,28 dm ³	50
K0096.2500	238	145	142	71	79	150	125	11	25	748	50	121	60	M12	G1/4	50	25000	2 - 6	0,60 dm ³	45

Order No.	Thrust rod extended / Clamping force F1 N
K0096.0600	5mm/320N, 10mm/430N, 15mm/650N, 20mm/870N, 22mm/1000N, 24mm/1500N, 25mm/2350N
K0096.1200	5mm/1200N, 10mm/1400N, 15mm/1650N, 20mm/1950N, 25mm/2300N, 27mm/2550N, 29mm/3000N, 31mm/4300N, 32mm/11500N
K0096.2500	5mm/1400N, 10mm/1600N, 15mm/1750N, 20mm/2000N, 25mm/2100N, 30mm/2450N, 35mm/2650N, 40mm/3250N, 45mm/4200N, 47mm/4900N, 49mm/7000N, 50mm/14500N

