

## Pneumatic clamps vertical heavy-duty version

### Item description/product images

---



### Description

**Material:**

Steel.

**Version:**

Black oxidised. Cylinder painted.

**On request:**

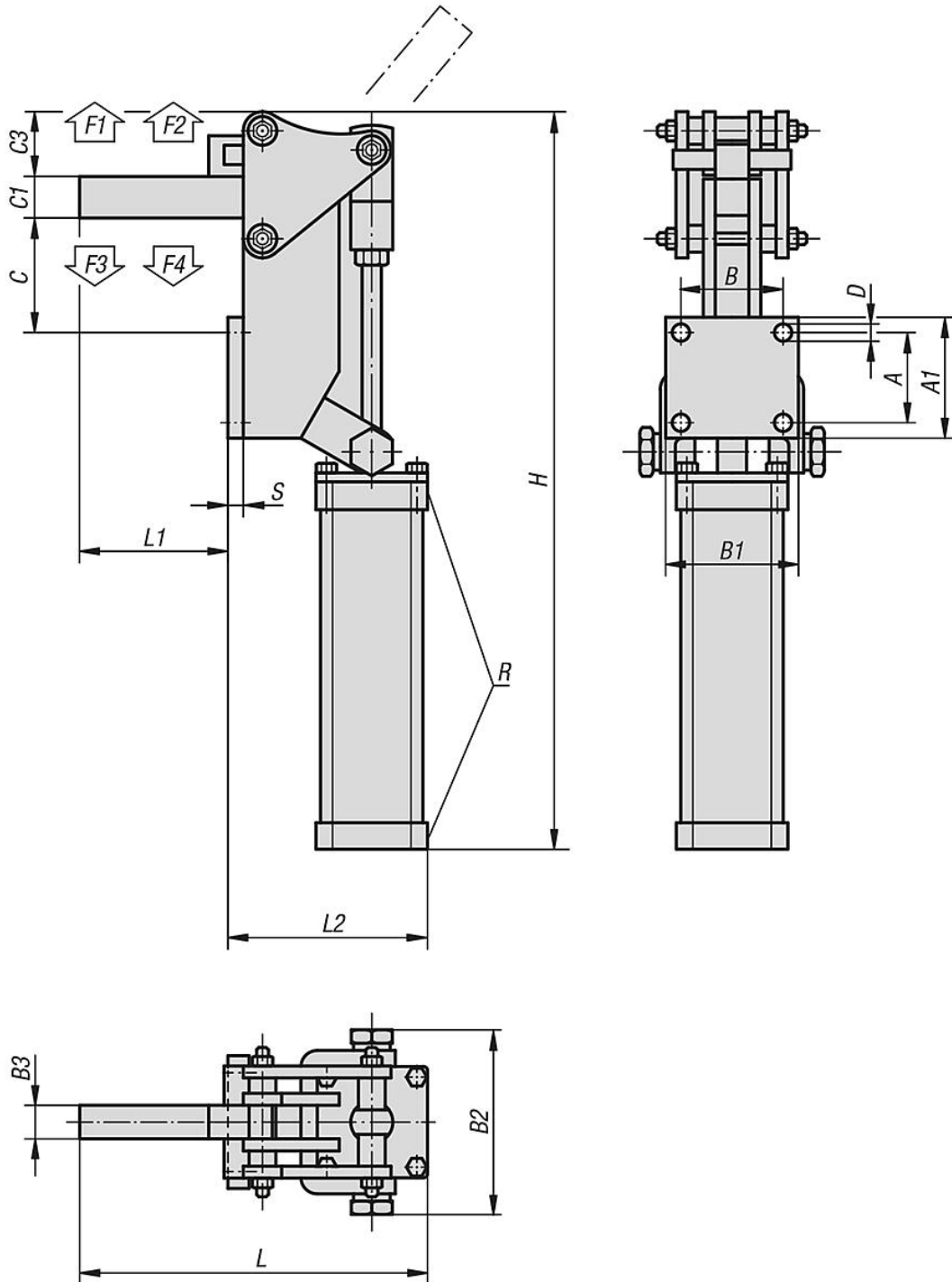
Proximity reed switch.

**Pneumatic cylinder:**

Double-acting with adjustable end of stroke dampening both ways.

# Pneumatic clamps vertical heavy-duty version

Drawings



## Overview of items

### Pneumatic clamps vertical, heavy-duty version

Order No.	Air consumption per cycle	Opening angle of holding arm	Holding force at 6 bar F1 N	Holding force at 6 bar F2 N	Clamping force at 6 bar F3 N	Clamping force at 6 bar F4 N
K0091.0750	0,27 dm <sup>3</sup>	120°	3000	7500	2250	3150
K0091.1750	0,75 dm <sup>3</sup>	120°	6500	17500	6500	8000

## Pneumatic clamps vertical heavy-duty version

### Overview of items

Order No.	A	A1	B	B1	B2	B3	C	C1	C3	D	H	L	L1	L2	S	R	Operating pressure bar	strokes per min. at 6 bar
<b>K0091.0750</b>	48	63,5	48	63,5	92,5	12,7	72	19	43	8,7	425	169	67	105	8	G1/4	2 - 6	30
<b>K0091.1750</b>	54,9	76,2	61,8	83	108,7	16	71	25,3	52	10,6	495,6	219	90	129	9,6	G 3/8	2 - 6	15