

## Locking pins, steel with folding latch

### Item description/product images



### Description

#### Material:

Steel electro zinc-plated.

#### Note:

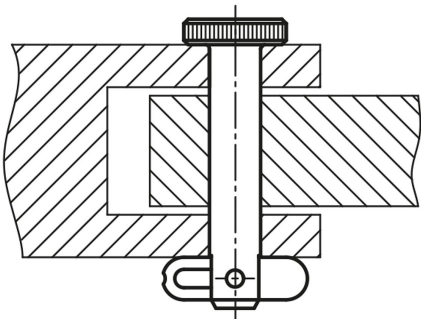
Locking pins with folding latch are not only used for fast and easy fixing but also for permanent joining of movable parts and workpieces.

The wide folding latch lets you secure the parts to be joined over a large cross section. It can also work under pressure in the axial direction.

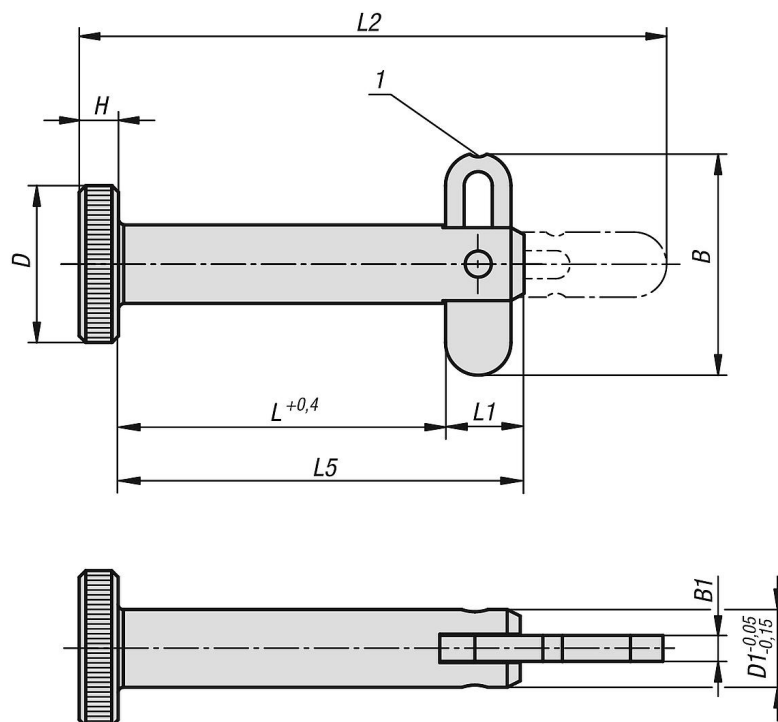
Indexing slots in the folding latch allow definite "Closed" and "Open" positions.

#### Drawing reference:

1) locking slot



### Drawings



### Overview of items

## Locking pins, steel with folding latch

### Overview of items

#### Locking pins with folding latch

Order No.	B	B1	D	D1	H	L	L1	L2	L5	Receiving hole H11	Shearing force double shear max.kN	Extraction force F N
<b>K0776.06025</b>	16,9	2	12	6	3	25	6	45	31	6	12	190
<b>K0776.06040</b>	16,9	2	12	6	3	40	6	60	46	6	12	190
<b>K0776.06050</b>	16,9	2	12	6	3	50	6	70	56	6	12	190
<b>K0776.08025</b>	16,9	2	16	8	4	25	6	46	31	8	21	270
<b>K0776.08040</b>	16,9	2	16	8	4	40	6	61	46	8	21	270
<b>K0776.08050</b>	16,9	2	16	8	4	50	6	71	56	8	21	270