

Toggle clamps mini horizontal with flat foot and adjustable clamping spindle

Item description/product images



Description

Material:

Steel or stainless steel.

Version:

Trivalent passivated.

Clamping spindle and nuts phosphated.

Stainless steel bright.

Plastic grip oil-resistant.

Accessory:

K0101

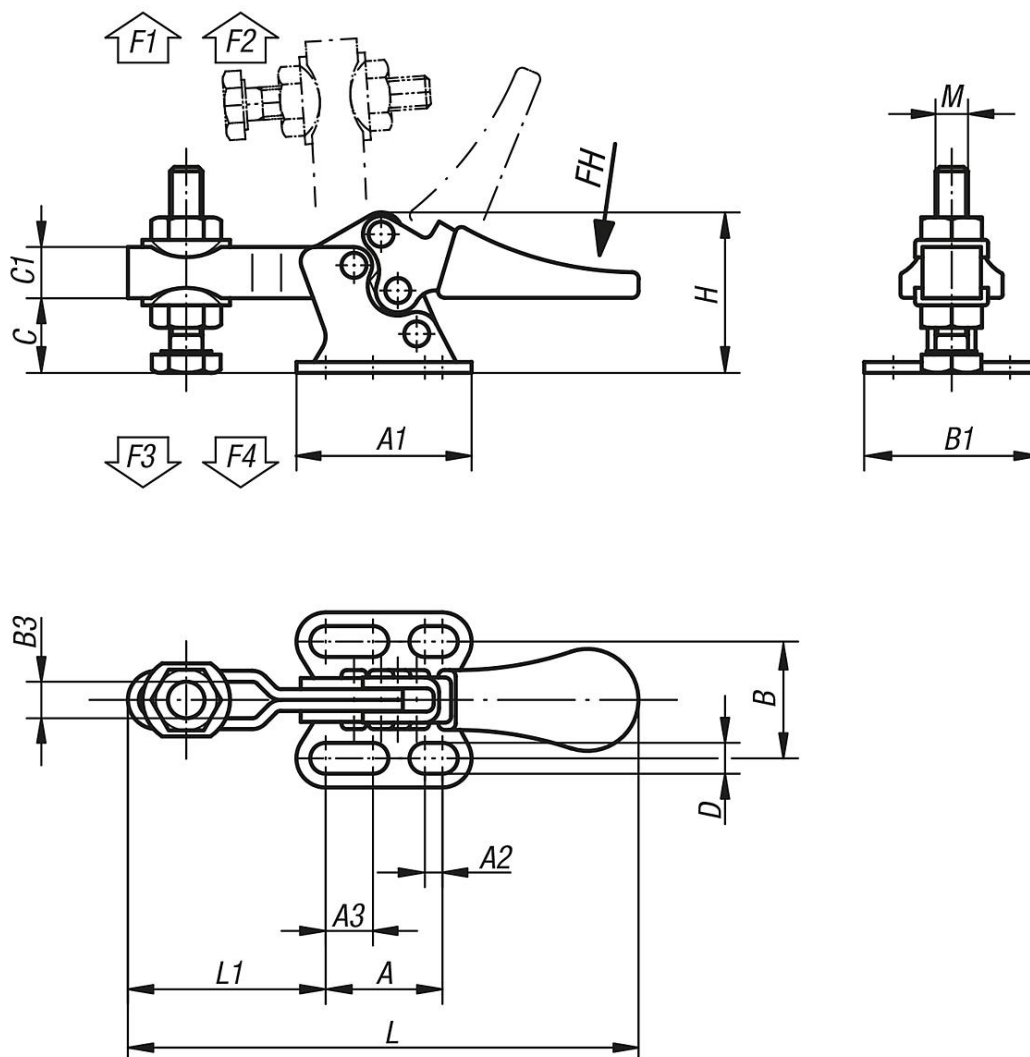
K0102

K0103

K0106

K0107

Drawings



Toggle clamps mini horizontal with flat foot and adjustable clamping spindle

Overview of items

Toggle clamps mini horizontal with flat foot and adjustable clamping spindle

Order No.	Main material	Opening angle of holding arm	Opening angle of handle	Hand force FH N	Retaining force F1 N	Retaining force F2 N	Clamping force F3 N	Clamping force F4 N
K0069.0050	steel	85°	65°	80	250	550	170	370
K0069.0050N	stainless steel	85°	65°	80	250	550	170	370

Order No.	Main material	A	A1	A2	A3	B	B1	B3	C	C1	D	H	L	L1	M
K0069.0050	steel	16	24	2,4	6,5	16	24	5,2	9	7	4,2	22	70	27	M5x20
K0069.0050N	stainless steel	16	24	2,4	6,5	16	24	5,2	9	7	4,2	22	70	27	M5x20