

Spring plungers with detent ring

Item description/product images



Description

Material:

Sleeve, spring and ball stainless steel.
O-ring NBR.

Version:

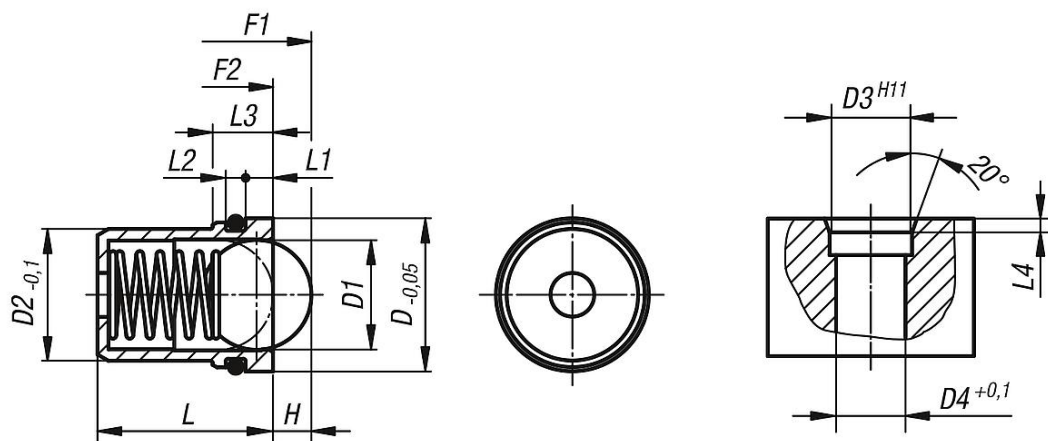
Sleeve bright.
Ball hardened, bright.
O-ring black.

Note:

These spring plungers with O-ring are suitable for overhead installation or for installing in difficult to access positions.

They can be pressed into the location hole by hand or using simple assembly tools. The O-ring holds the plunger in place and prevents it falling out. Other components can be easily installed without the need for further assembly aids.

Drawings



Overview of items

Spring plungers with detent ring

| Order No. | D | D1 | D2 | D3 | D4 | H | L | L1 | L2 | L3 | L4 | Spring force initial pressure F1 approx. N | Spring force final pressure F2 approx. N |
|-----------|-------|-----|----|----|------|-----|------|-----|-----|-----|-----|--|--|
| K0582.05 | 4,95 | 3 | 4 | 5 | 4,1 | 0,8 | 5 | 1 | 0,7 | 2,3 | 0,7 | 3 | 7 |
| K0582.06 | 5,95 | 4 | 5 | 6 | 5,1 | 1 | 6 | 1 | 0,7 | 2,3 | 0,7 | 4 | 7 |
| K0582.08 | 7,95 | 5 | 6 | 8 | 6,1 | 1,5 | 7 | 1,5 | 1,2 | 3,7 | 1 | 6 | 12 |
| K0582.10 | 9,95 | 6,5 | 8 | 10 | 8,1 | 1,8 | 9 | 2 | 1,2 | 4,2 | 1,5 | 6 | 12 |
| K0582.12 | 11,95 | 8 | 10 | 12 | 10,1 | 2,7 | 13,5 | 2,5 | 1,8 | 5,3 | 2 | 10 | 20 |
| K0582.14 | 13,95 | 10 | 12 | 14 | 12,1 | 3,5 | 16 | 2,5 | 1,8 | 5,5 | 2 | 15 | 25 |

