

# Cam clamps adjustable with riser

## Item description/product images



### Description

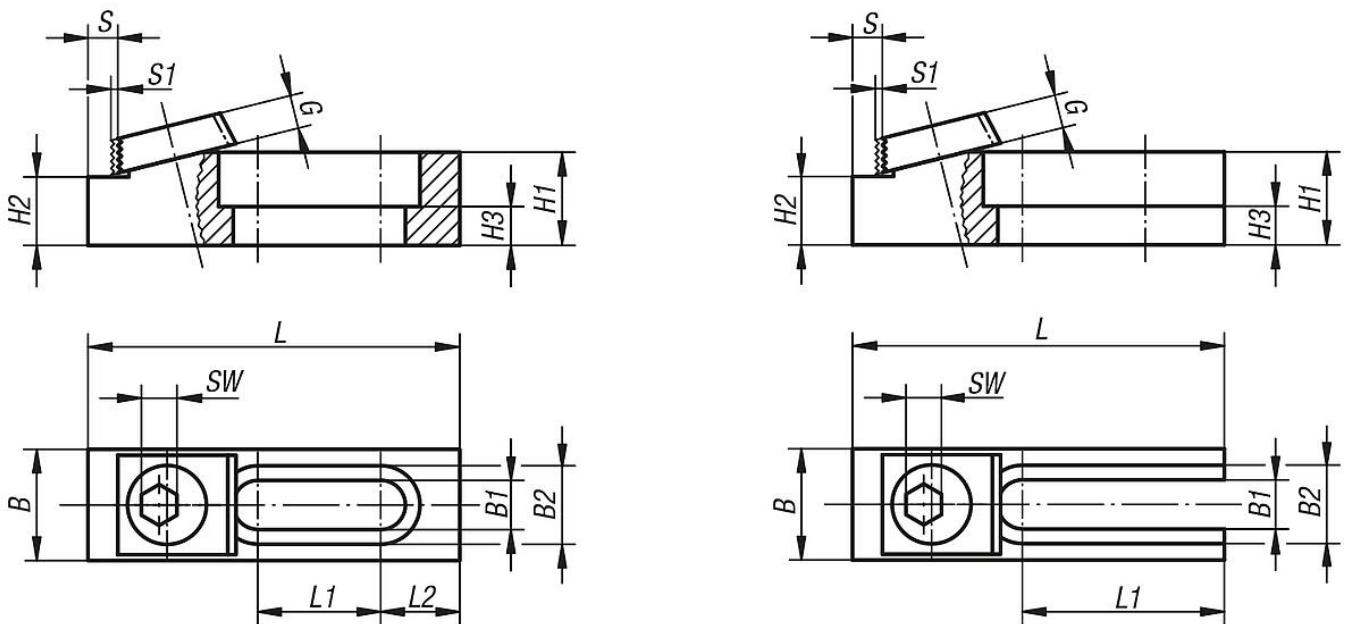
**Material:**  
Steel.

**Version:**  
Body tempered, black oxidised, riser faces ground.  
Square washer case hardened and brass-plated.

**Note:**  
Also called multi-fixture clamps and stops.  
Cost-effective custom made clamping fixtures can be produced using the adjustable riser cam clamps together with the matching riser stops.

**On request:**  
Replacement cam screws.

## Drawings



## Overview of items

### Cam clamps adjustable with riser

| Order No. | suitable fastening screw | L    | L1   | L2   | B    | B1  | B2   | H1   | H2            | H3  | S   | S1  | G    | SW | Long hole | Clamping force kN | Tightening torque max. Nm |
|-----------|--------------------------|------|------|------|------|-----|------|------|---------------|-----|-----|-----|------|----|-----------|-------------------|---------------------------|
| K0031.08  | M8                       | 63,5 | 21   | 13,5 | 19   | 8,4 | 13,4 | 15,9 | 11,684 -0,013 | 6,6 | 6,3 | 1,2 | 5,3  | 7  | closed    | 8,9               | 28                        |
| K0031.12  | M12                      | 95,1 | 42,7 | 12,7 | 28,5 | 13  | 19,8 | 15,9 | 12,192 -0,013 | 6,9 | 7,1 | 2   | 9,5  | 8  | closed    | 17,8              | 88                        |
| K0031.16  | M16                      | 107  | 46,3 | -    | 38   | 17  | 24,8 | 41   | 35,001 -0,013 | 21  | 8,3 | 2,5 | 12,7 | 12 | open      | 26,7              | 135                       |

