

## Cam screws with hexagon washer, for T-slots

### Item description/product images



### Description

#### Material:

Carbon steel.

Hex washer brass.

#### Version:

Tempered to 10.9 and black oxidised.

#### Note:

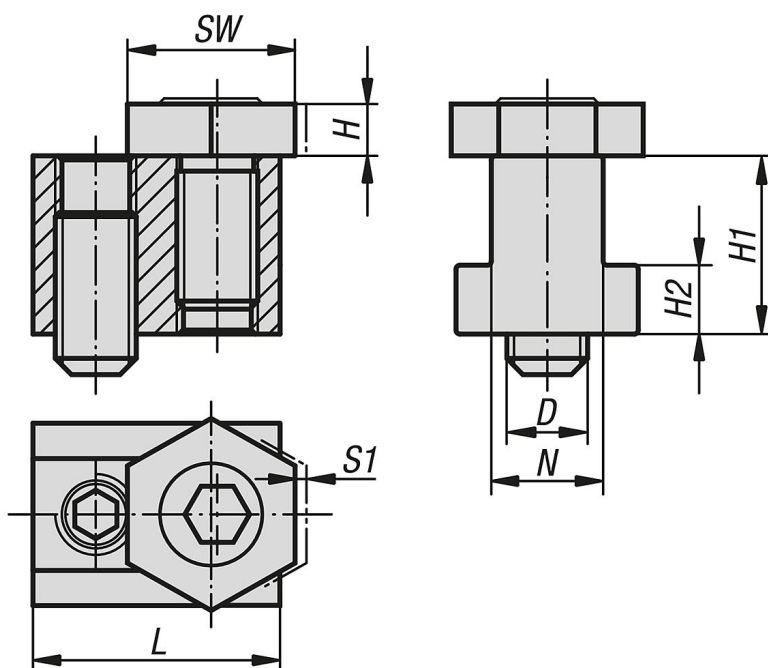
Also called fixture clamps for T-slots.

These fixture clamps can be used directly on machine tables or other tables with T-slots. The grub screw at the rear locks the T-nut in the slot. Thin shims are recommended to prevent marking the bottom of the T-slot.

#### On request:

Replacement cam screws.

### Drawings



### Overview of items

#### Cam screws with hexagon washer, for T-slots

Order No.	D	N	H	H1	H2	L	SW	S1 (travel)	Clamping force kN
K0027.08	M6	8	4,8	9,6	4,5	23	16	1	3,4
K0027.10	M6	10	4,8	14	4,5	23	16	1	3,4
K0027.12	M8	12	4,8	15,5	6,5	28	21	1	3,6
K0027.14	M10	14	6,4	22	8,5	30,5	21	1,6	9

## Cam screws with hexagon washer, for T-slots

### Overview of items

Order No.	D	N	H	H1	H2	L	SW	S1 (travel)	Clamping force kN
<b>K0027.16</b>	M12	16	9,5	22,5	9	30,5	25	2	18
<b>K0027.18</b>	M12	18	9,5	28,5	10	34,5	25	2	18
<b>K0027.20</b>	M16	20	12,7	32	12	39	30	2,5	27
<b>K0027.22</b>	M16	22	12,7	38,2	14	44	30	2,5	27