

Shoulder screws Form B

Item description/product images

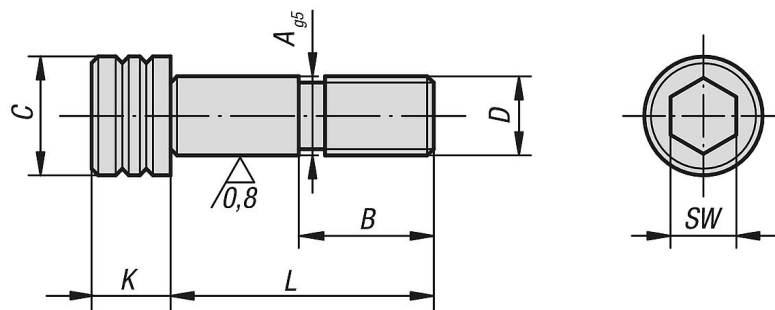


Description

Material:
Carbon steel.

Version:
Tempered, black oxidised.
Precision diameters ground.

Drawings



Overview of items

Shoulder screws Form B

Order No.	Form	A	B	C	D	K	L	SW	Tightening torque max. Nm
K0815.12055	B	12	22	18	M12	12	55	10	88
K0815.16055	B	16	25	24	M16	16	55	14	216