

Clamping levers 2K with internal thread, threaded insert stainless steel

Item description/product images



lift to
disengage



Description

Material:

Handle:

Hard component in glass-fibre-reinforced plastic with toothed wheel in die cast zinc.
Soft component: Thermoflex based on SEBS.

Steel parts:

Stainless steel, 1.4305.

Version:

Steel parts bright.

Note:

The hard and soft components are supplied in black grey RAL 7021 as standard.

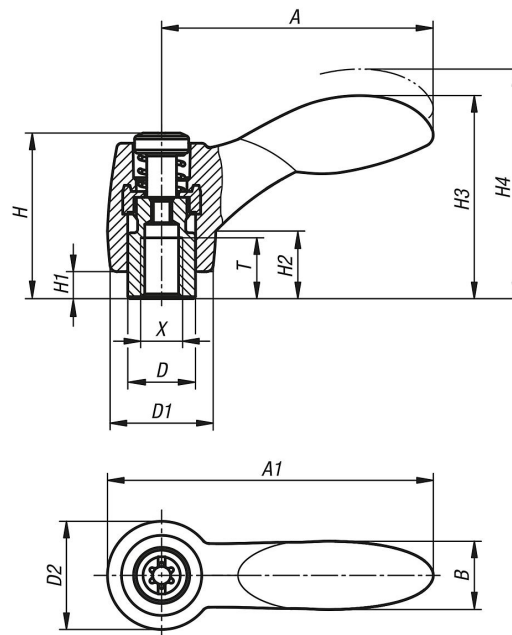
On request:

Other female threads, colour combinations and special versions.

Dimension "H1" available in other lengths on request at extra charge.

Clamping levers 2K with internal thread, threaded insert stainless steel

Drawings



Overview of items

Order No.	Component material	X	T	D	D1	D2	H	H1	H2	H3	H4	A	A1	B	No. of teeth
K0126.10401	stainless steel	M4	9	10	15	16	24,5	4	10	30	33,5	40,1	48,1	10,1	16
K0126.10501	stainless steel	M5	9	10	15	16	24,5	4	10	30	33,5	40,1	48,1	10,1	16
K0126.10601	stainless steel	M6	9	10	15	16	24,5	4	10	30	33,5	40,1	48,1	10,1	16
K0126.20601	stainless steel	M6	12	13,5	17,5	19	28,5	6,5	12,5	41,2	45,2	64,9	74,4	17,6	20
K0126.20801	stainless steel	M8	12	13,5	17,5	19	28,5	6,5	12,5	41,2	45,2	64,9	74,4	17,6	20
K0126.30801	stainless steel	M8	14	16	21	22	37	10	17	51,6	56,1	80,2	91,2	20,7	22
K0126.31001	stainless steel	M10	14	16	21	22	37	10	17	51,6	56,1	80,2	91,2	20,7	22