

# Fixed castors

## Item description/product images



### Description

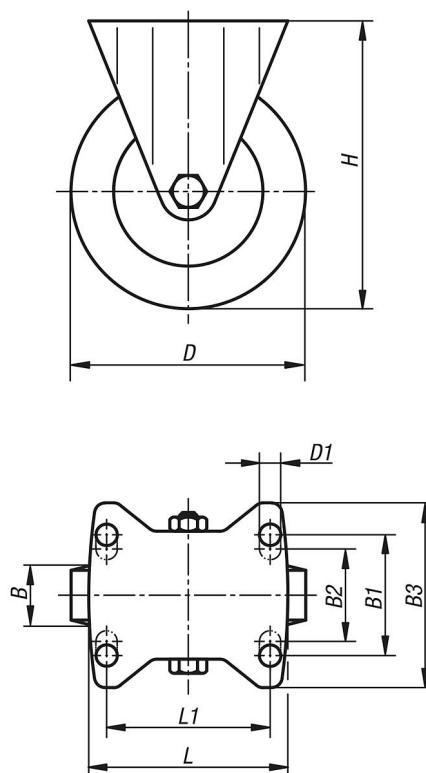
**Material:**  
Housing thick steel plate.  
Wheels high-quality PA 6.

**Version:**  
Pressed housing

**Note:**  
The hardened bearing shells make these castors particularly shock and impact proof. The wheels have high abrasion resistance. Wheel axle bolted.

## Drawings

fixed castor



## Overview of items

Order No.	Item	Version 1	Wheel bearing	B	B1	B2	B3	D	D1	L	L1	H	Permissible load kg
K1772.075321	Fixed castor	without locking system	plain bearing	32	60	-	85	75	9	100	80	118	300
K1772.075324	Fixed castor	without locking system	ball bearing	32	60	-	85	75	9	100	80	118	300
K1772.100371	Fixed castor	without locking system	plain bearing	37	60	-	85	100	9	100	80	140	500
K1772.100374	Fixed castor	without locking system	ball bearing	37	60	-	85	100	9	100	80	140	500
K1772.125401	Fixed castor	without locking system	plain bearing	40	60	-	85	125	9	100	80	165	700
K1772.125404	Fixed castor	without locking system	ball bearing	40	60	-	85	125	9	100	80	165	700
K1772.150501	Fixed castor	without locking system	plain bearing	50	80	75	110	150	11	140	105	197	800
K1772.150504	Fixed castor	without locking system	ball bearing	50	80	75	110	150	11	140	105	197	800

