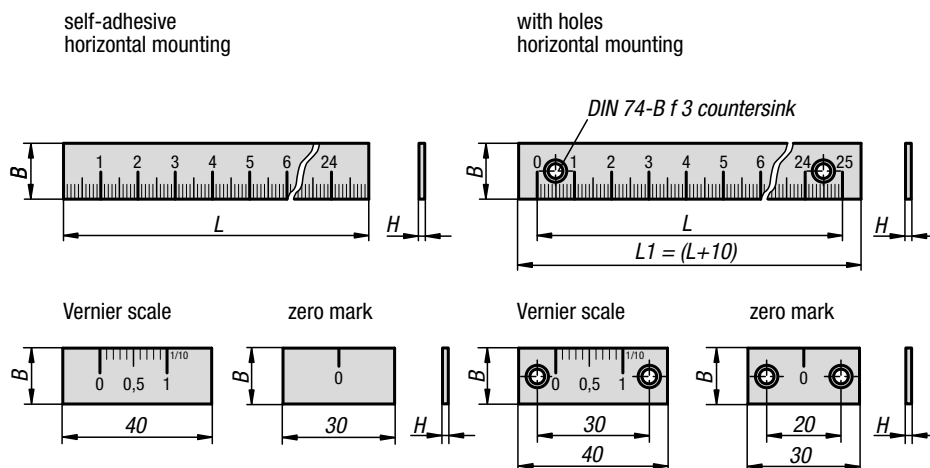


## Scales, scale rings, level vials



## Linear scales

self adhesive or with screw holes, aluminium



**Material:**  
Aluminium.

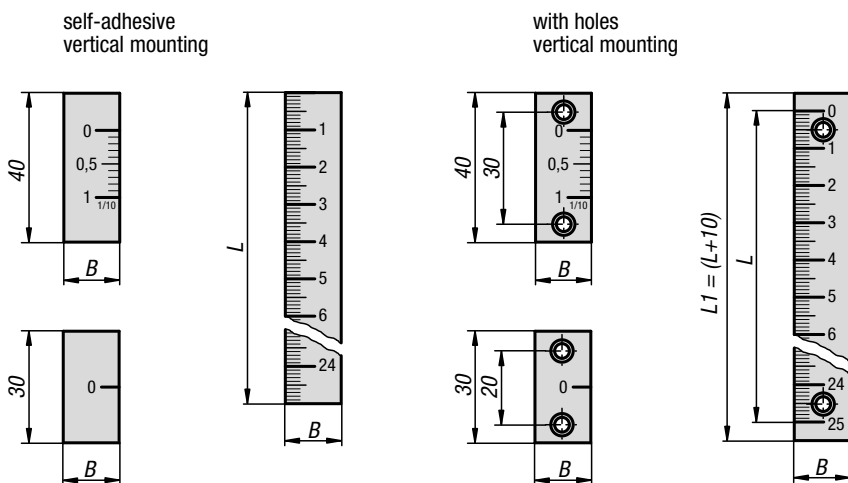
**Version:**  
Black anodised

**Sample order:**  
K0757.000010X0250 (include length L)

**Note:**  
Rigid design aluminium linear scales with self-adhesive back or with screw holes. Cross section 15 x 2 mm.

Black anodised surface and high contrast graduations for legibility without shading. The graduations are deep lasered.

**On request:**  
– Zero mark lower right or centre  
– Graduations upper right or both sides  
– Other lengths



Length L	No. of holes
250	2
500	3
750	4
1000	5

### KIPP Linear scales, self adhesive or with screw holes, aluminium

Order No. self adhesive	Order No. fastening holes	Product type	Version 1	Zero point	Division	Graduations	B	H	L	L1
K0757.000010X	-	scale	horizontal	left	1 mm	bottom	15	2	250/500/750/1000	250
K0757.010010X	-	scale	vertical	top	1 mm	left	15	2	250/500/750/1000	250
-	K0757.100010X	scale	horizontal	left	1 mm	bottom	15	2	250/500/750/1000	260
-	K0757.110010X	scale	vertical	top	1 mm	left	15	2	250/500/750/1000	260

### KIPP Vernier scale and zero reference, self adhesive or with holes, aluminium

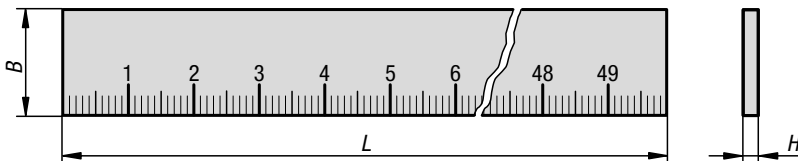
Order No. self adhesive	Order No. fastening holes	Product type	Version 1	Zero point	Graduations	B	H
K0757.0001	K0757.1001	vernier scale	horizontal	left	top	15	2
K0757.0101	K0757.1101	vernier scale	vertical	top	right	15	2
K0757.00	K0757.10	zero reference mark	horizontal	-	-	15	2
K0757.01	K0757.11	zero reference mark	vertical	-	-	15	2

## Linear scales

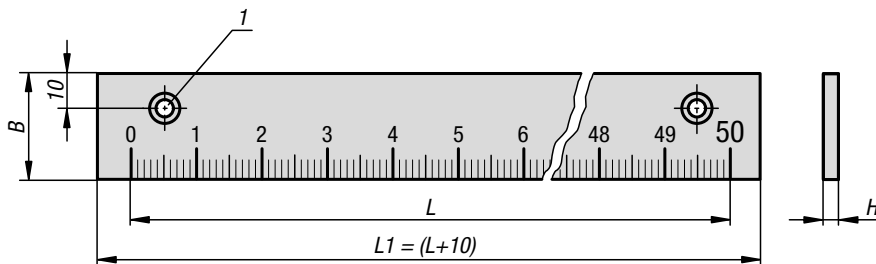
self-adhesive or with screw holes, aluminium



self-adhesive



with holes



Length L	No. of holes
500	2
1000	3

**Material:**

Aluminium.

**Version:**

Scale surface ground and black anodised

**Sample order:**

K0758.000010X0500 (include length L)

**Note:**

Rigid, heavy-duty design aluminium linear scales. Cross section 30 x 6 mm.

Black anodised surface and high contrast graduations for legibility without shading. The graduations are deep lasered.

**On request:**

- Zero mark right or centre
- Graduations top or both sides
- Other lengths

**Drawing reference:**

- 1) counterbore to DIN 74-B f 5

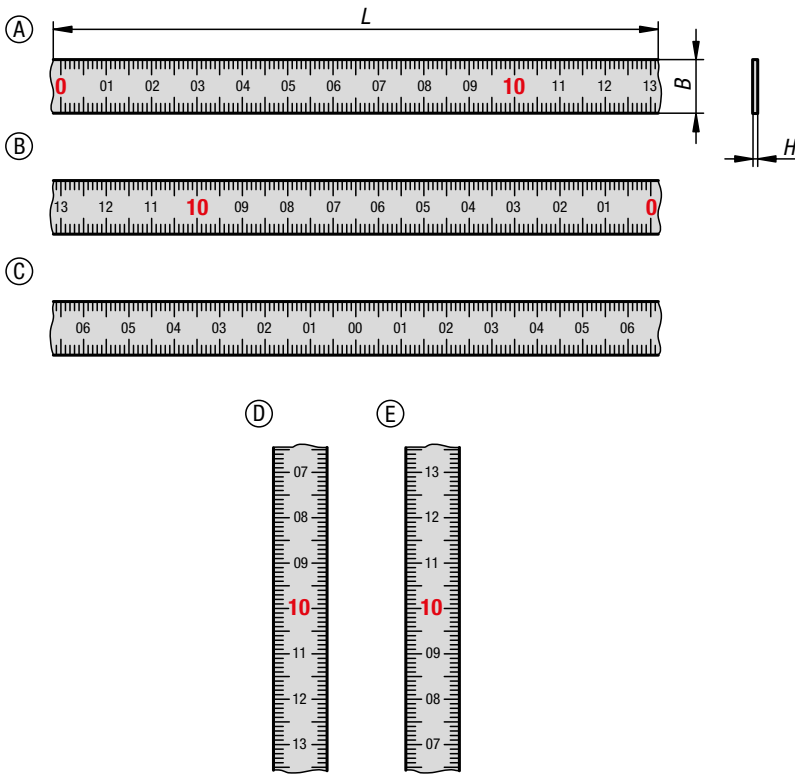
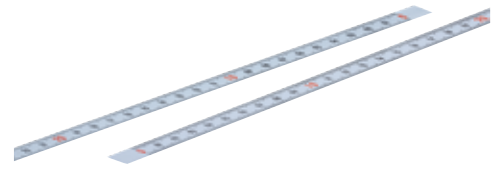


**KIPP Linear scales self-adhesive or with screw holes, aluminium**

Order No. self adhesive	Order No. fastening holes	Version 1	Zero point	Division	Graduations	B	H	L	L1
K0758.000010X	-	horizontal	left	1 mm	bottom	30	6	500/1000	500
-	K0758.100010X	horizontal	left	1 mm	bottom	30	6	500/1000	510

## Scale tape, steel

self-adhesive



**Material:**  
Steel.

**Version:**  
Painted white.

**Sample order:**  
K1301.00021010X0300 (include length L)

**Note:**  
Scale tapes with mm graduations on top and bottom edge in black and consecutive centimetre numbering. Decimal numbers in red (under 1 m lengths and with centre zero black only).  
The scale tapes are self-adhesive with a peel-away foil film on the back. The film must be removed before use.

**Application:**  
The scale tapes can be used where a precise measurement is required. They are used on machines, work tables and workbenches.

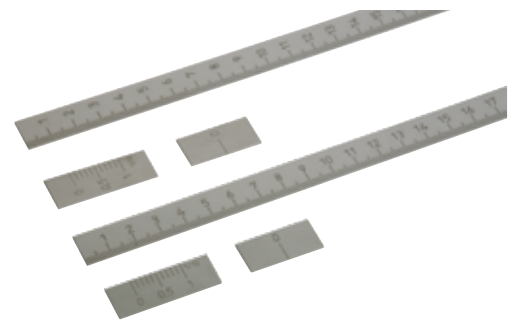


### KIPP Scale tapes, steel, self-adhesive

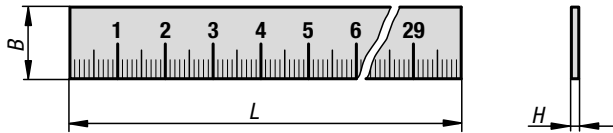
Order No.	Kind of fastening	Product type	Version 1	Form	Zero point	Division	Graduations	B	H	L
K1301.00021010X	self adhesive	scale tape	horizontal	A	left	1 mm	both sides	10	0,5	300/500/1000/2000/3000/5000/6000
K1301.00021013X	self adhesive	scale tape	horizontal	A	left	1 mm	both sides	13	0,5	300/500/1000/2000/3000/5000/6000
K1301.00221010X	self adhesive	scale tape	horizontal	B	right	1 mm	both sides	10	0,5	300/500/1000/2000/3000/5000/6000
K1301.00221013X	self adhesive	scale tape	horizontal	B	right	1 mm	both sides	13	0,5	300/500/1000/2000/3000/5000/6000
K1301.00121013X	self adhesive	scale tape	horizontal	C	centre	1 mm	both sides	13	0,5	800/2000/2500/8000
K1301.01021013X	self adhesive	scale tape	vertical	D	top	1 mm	both sides	13	0,5	1000/2000/3000/5000
K1301.01221013X	self adhesive	scale tape	vertical	E	bottom	1 mm	both sides	13	0,5	1000/2000/3000/5000

## Linear scales

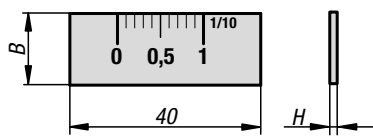
self-adhesive, stainless steel



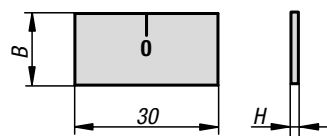
horizontal mounting



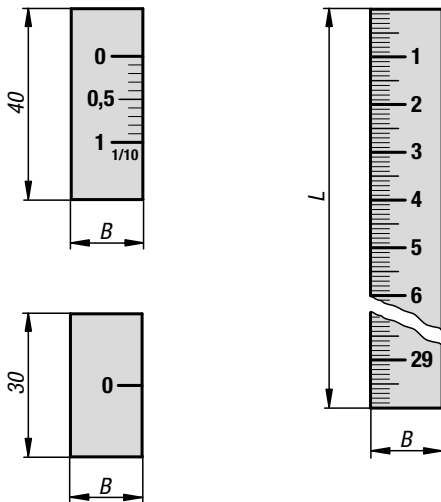
Vernier scale



zero mark



vertical mounting



**Material:**

Stainless steel 1.4310.

**Version:**

Bright.

**Sample order:**

K0759.000010X0300 (include length L)

**Note:**

Rigid design stainless steel linear scales with self-adhesive back.  
Cross section 15 x 1 mm.

Matt surface and black high contrast graduations. The graduations are deep lasered.

**On request:**

- Zero mark lower right or centre
- Graduations upper right or both sides
- Other lengths



### KIPP Linear scales self-adhesive, stainless steel

Order No. self adhesive	Product type	Version 1	Zero point	Division	Graduations	B	H	L
K0759.000010X	scale	horizontal	left	1 mm	bottom	15	1	300/500/700/1000
K0759.010010X	scale	vertical	top	1 mm	left	15	1	300/500/700/1000

### KIPP Vernier scale and zero reference, self-adhesive, stainless steel

Order No.	Product type	Version 1	Zero point	Graduations	B	H
K0759.0001	vernier scale	horizontal	left	top	15	1
K0759.0101	vernier scale	vertical	top	right	15	1
K0759.00	zero reference mark	horizontal	-	-	15	1
K0759.01	zero reference mark	vertical	-	-	15	1

## Bullseye levels

in frame, to screw on



**Material:**

Frame brass.  
Bullseye level body polyamide.

**Version:**

Nickel-plated and high-gloss polished.

**Sample order:**

K1154.1141030

**Note:**

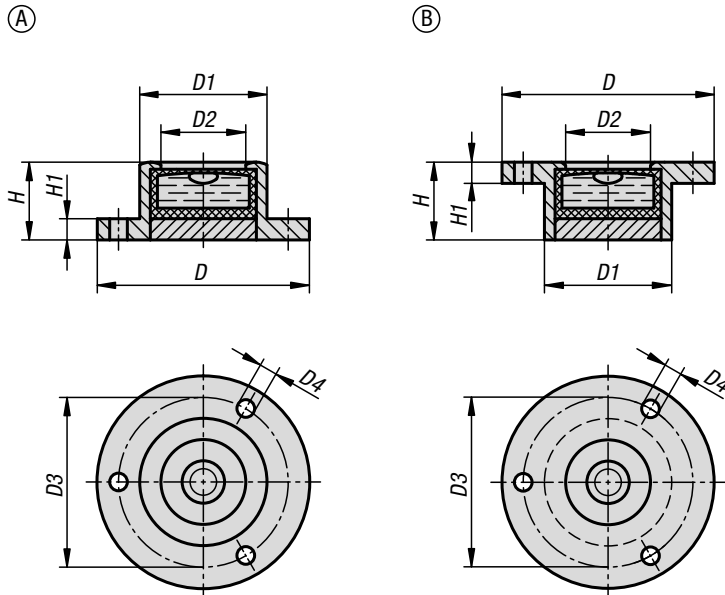
Bubble levels are used as a type of zero indicator instrument for checking horizontal inclination in e.g. spirit levels, inclinometers, metrology instruments and machine constructions.

These bullseye levels can either be screwed down using the three holes (Form A) or recessed (Form B).

- Form A: calibrated to the ground bottom face
- Form B: calibrated to the underside of the flange
- Sensitivity in angular minutes for 2 mm bubble travel
- Clear filling
- Black contrast ring
- White level base

**Temperature range:**

-35 °C up to +55 °C.



### KIPP Bullseye levels in a frame to screw down

Order No.	Form	Version 1	D	D1	D2	D3	D4	H	H1	Sensitivity
K1154.1141030	A	with mounting flange	20	14	10	17	1,6	10	1,8	30'
K1154.1171030	A	with mounting flange	25	17	12	21	2	10	2	30'
K1154.1181130	A	with mounting flange	30	18	12	24	2,5	11	3	30'
K1154.1281430	A	with mounting flange	40	28	20	34,5	2,5	14	4	30'
K1154.1341530	A	with mounting flange	50	34	25	43	3	15	5	30'
K1154.2141030	B	inlet flange	20	14	10	17	1,6	10	1,8	30'
K1154.2171030	B	inlet flange	25	17	12	21	2	10	2	30'
K1154.2181130	B	inlet flange	30	18	12	24	2,5	11	3	30'
K1154.2281430	B	inlet flange	40	28	20	34,5	2,5	14	4	30'
K1154.2341530	B	inlet flange	50	34	25	43	3	15	5	30'

## Bullseye levels

in plastic frame



**Material:**

Frame PMMA.  
Bullseye level body acrylic glass.

**Version:**

Black.

**Sample order:**

K1153.171053

**Note:**

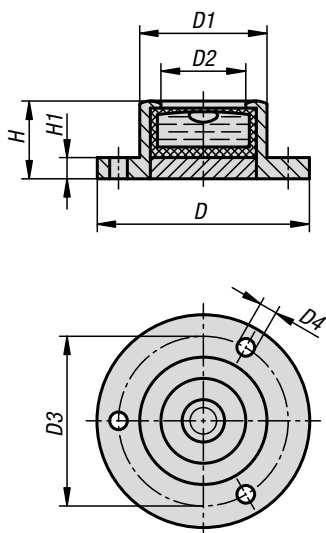
Bubble levels are used as a type of zero indicator instrument for checking horizontal inclination in e.g. spirit levels, inclinometers, metrology instruments and machine constructions.

These bullseye levels can be mounted using the three fastening holes.

- Calibrated to the ground bottom face
- Sensitivity in angular minutes for 2 mm bubble travel
- Clear filling
- Black contrast ring
- White level base

**Temperature range:**

-35 °C up to +55 °C.



### KIPP Bullseye levels in a plastic frame

Order No.	D	D1	D2	D3	D4	H	H1	Sensitivity
K1153.171053	26	17	11	21,5	2,3	10	3	53'
K1153.201140	30	20	14	25	2,3	11	3	40'
K1153.241153	36	24	18,5	29	3,2	11	3	53'

## Bullseye levels

with bead-edged frame



**Material:**

Frame brass.  
Bullseye level body polyamide.

**Version:**

Nickel-plated and high-gloss polished.

**Sample order:**

K1152.181030

**Note:**

Bubble levels are used as a type of zero indicator instrument for checking horizontal inclination in e.g. spirit levels, inclinometers, metrology instruments and machine constructions.

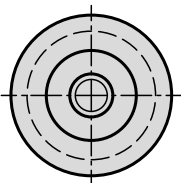
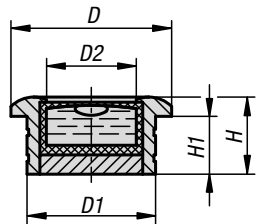
- Sensitivity in angular minutes for 2 mm bubble travel
- The bullseye level is calibrated to underside of the flange
- Bead edge with serrations for recessing
- Clear filling
- Black contrast ring
- White level base

**Temperature range:**

-35 °C up to +55 °C.

**Assembly:**

- Measure the level body
- Assemble by pressing in a hole that is 0.02 mm – 0.03 mm smaller than the  $\varnothing$  of the level body
- A chamfer on the hole will ease pressing in



### KIPP Bullseye levels with bead-edge frame

Order No.	D	D1	D2	H	H1	Sensitivity
K1152.181030	20	18	12	10	8	30'
K1152.201230	25	20	14	12	9	30'
K1152.281330	30	28	20	13	10	30'



## Bullseye levels

in round frame



**Material:**

Frame brass.  
Bullseye level body polyamide.

**Version:**

Nickel-plated and high-gloss polished.

**Sample order:**

K1155.1140930

**Note:**

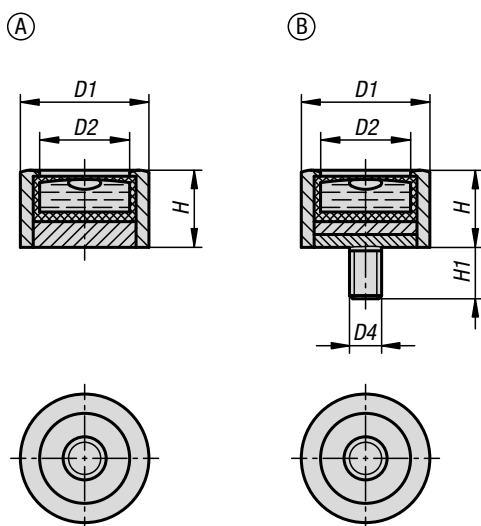
Bubble levels are used as a type of zero indicator instrument for checking horizontal inclination in e.g. spirit levels, inclinometers, metrology instruments and machine constructions.

Form B can be fastened using a grub screw.

- Sensitivity in angular minutes for 2 mm bubble travel
- The bullseye level is calibrated to the seating face of frame
- Various threads are available
- Clear filling
- Black contrast ring
- White level base

**Temperature range:**

-35 °C up to +55 °C.



### KIPP Bullseye levels in a round frame

Order No.	Form	D1	D2	D4	H	H1	Sensitivity
K1155.1140930	A	14	10	-	9,5	-	30'
K1155.1181130	A	18	12	-	11	-	30'
K1155.1201230	A	20	14	-	12	-	30'
K1155.1301530	A	30	21	-	15	-	30'
K1155.2140730	B	14	10	M4	7,5	5	30'
K1155.2181230	B	18	12	M6	12	5	30'
K1155.2201230	B	20	14	M5	12	8	30'
K1155.2301530	B	30	21	M8	15	10	30'



## Bullseye level body



**Material:**

Bullseye level body stainless steel up to Ø14 mm, then aluminium.  
Sight window glass.

**Version:**

Aluminium black anodised.

**Sample order:**

K1156.120725

**Note:**

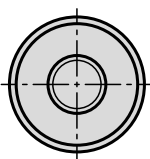
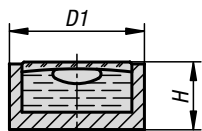
Bubble levels are used as a type of zero indicator instrument for checking horizontal inclination in e.g. spirit levels, inclinometers, metrology instruments and machine constructions.

Excellent bubble contour, with internal bubble ring to eliminate planar parallaxes.

- Sensitivity in angular minutes for 2 mm bubble travel
- Clear filling

**Temperature range:**

-35 °C up to +55 °C.

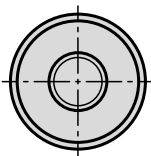
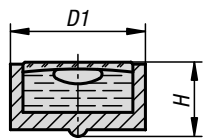


### KIPP Bullseye level body

Order No.	Main material	D1	H	Sensitivity
K1156.120710	stainless steel	12	6	10'
K1156.120725	stainless steel	12	6	25'
K1156.140710	aluminium	14	6,5	10'
K1156.140720	aluminium	14	6,5	20'
K1156.150710	aluminium	15	6,5	10'
K1156.150720	aluminium	15	6,8	20'
K1156.200810	aluminium	20	8,5	10'
K1156.200820	aluminium	20	8,5	20'
K1156.250910	aluminium	25	8,5	10'
K1156.250920	aluminium	25	8,5	20'

## Bullseye level body

plastic



**Material:**  
Polyamide.

**Version:**  
Ivory coloured.

**Sample order:**  
K1157.120720

**Note:**  
Bubble levels are used as a type of zero indicator instrument for checking horizontal inclination in e.g. spirit levels, inclinometers, metrology instruments and machine constructions.  
With internal black contrast ring for better bubble contour.  
- Protruding fill point underneath.  
- Sensitivity in angular minutes for 2 mm bubble travel  
- Clear filling

**Temperature range:**  
-35 °C up to +55 °C.



### KIPP Bullseye level body plastic

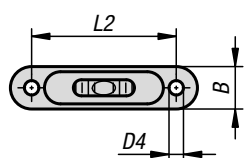
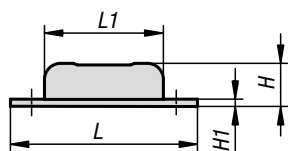
Order No.	D1	H	Sensitivity
K1157.120720	12	7	20'
K1157.140730	14	7,7	30'
K1157.150720	15	7,7	20'
K1157.180930	18	9,2	30'
K1157.201040	20	10,6	40'
K1157.251230	25	11,5	30'

## Tubular bubble levels

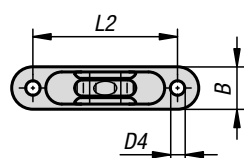
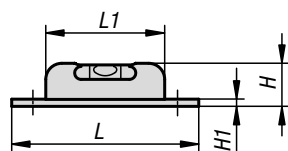
with frame to screw on



Ⓐ



Ⓑ



**Material:**

Frame brass.

Tubular bubble vial glass.

**Version:**

Nickel-plated and high-gloss polished. Form B: black anodised.

**Sample order:**

K1158.1571350

**Note:**

Bubble levels are used as a type of zero indicator instrument for checking horizontal inclination in e.g. spirit levels, inclinometers, metrology instruments and machine constructions.

The tubular levels can be fastened using the two holes.

- Form A: one sight window
- Form B: three sight windows
- Sensitivity in angular minutes for 2 mm bubble travel
- Green filling

**Temperature range:**

-35 °C up to +55 °C.

### KIPP Tubular levels with frame to screw down

Order No.	Form	B	D4	H	H1	L	L1	L2	Sensitivity
K1158.1571350	A	12,3	4,5	13	1	57	37	45	50'
K1158.2571305	B	12,3	4,5	13	1	57	37	45	5'

# Scale rings to customer specifications



**Material:**  
Steel 1.192.

**Version:**  
Matt-finished chromium-plated.  
Scale marks and figures in black.

**Note:**  
The above version has proven itself for „avoiding reading errors“. The matt-finished chromium-plated surface and the black scale marks and figures contrast very well.  
However, other surface finishes and materials are available on request.

