

Cap nuts compact in Hygienic DESIGN

Item description/product images



Description

Material:

Stainless steel 1.4404.

Version:

Polished.

Note:

The surface of the cap nut is polished and, with regard to design optimised for the use in hygienic environments. The top of the nut is spherical and the collar has a conical formed top face. The nut has been designed as a low version so as to keep troublesome corners as few as possible. Due to the extremely high quality surface finish of much less than $Ra\ 0.8\ \mu m$, hardly any dirt particles adhere to the surface.

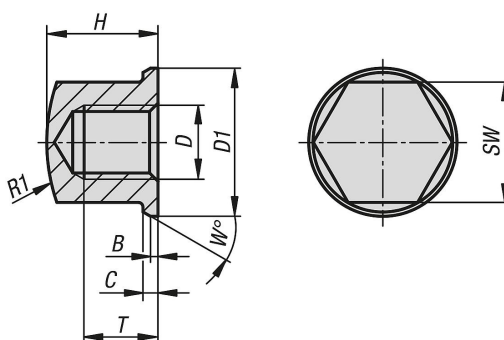
On request:

Inch threads, high versions.

Accessory:

For damage-free tightening and loosening of the screw we recommend the open-end spanners together with the protective caps (K1362).

Drawings



Overview of items

Cap nuts compact in Hygienic DESIGN

Order No.	Main material	D	D1	B	C	H	R1	SW	T	W
K1332.03	stainless steel A4	M3	6,8	0,25	0,5	4,95	8,8	5,5	3	20
K1332.04	stainless steel A4	M4	9	0,3	0,8	6,5	10	7	4	30
K1332.05	stainless steel A4	M5	10	0,5	1	7	16	8	4	30
K1332.06	stainless steel A4	M6	12	0,8	1	9	16	10	6	30
K1332.08	stainless steel A4	M8	16	0,8	1,6	12	20	13	8	30
K1332.10	stainless steel A4	M10	20	1	2	14	32	16	10	30
K1332.12	stainless steel A4	M12	24	1	2,5	16	35	19	11	30

