

## Wheels rubber tyres on die-cast aluminium rims

### Item description/product images



### Description

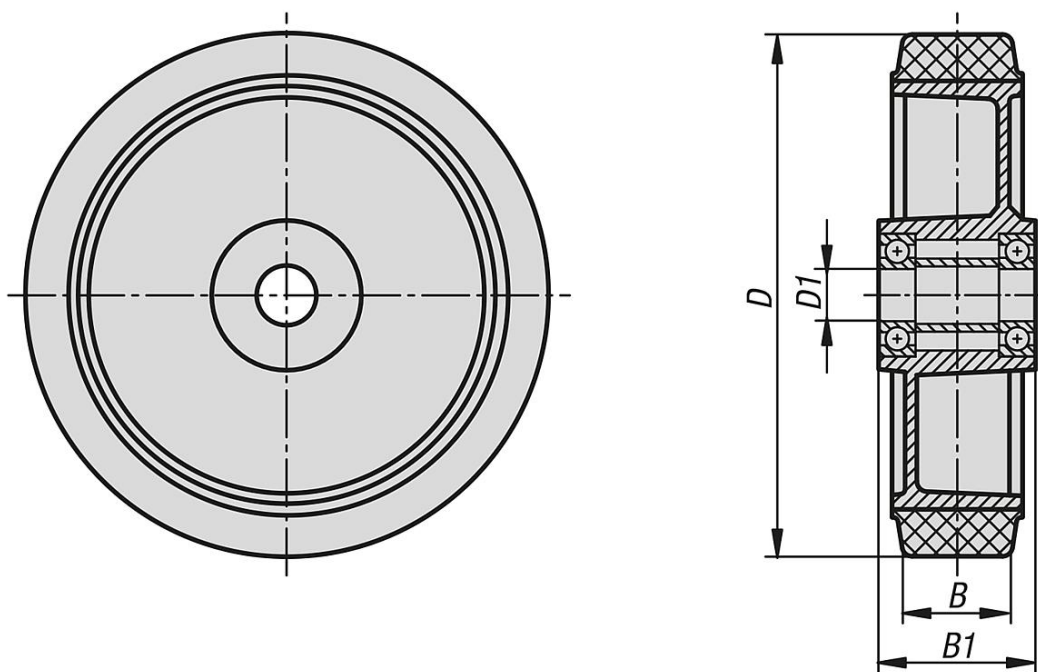
#### Material:

Wheel rims die-cast aluminium.  
Tyre elastic solid rubber.

#### Note:

The tyre is vulcanised onto the rim. Wheels with elastic solid rubber tyres have a high wear resistance, low rolling resistance and excellent drive comfort. Application temperature from -30 °C to +80 °C. These wheels are used as the front wheels on fork-lift trucks. Other sizes on request.

### Drawings



### Overview of items

#### Wheels rubber tyres on die-cast aluminium rims

Order No.	Wheel bearing	D	D1	B	B1	Permissible load kg
K1777.200501	ball bearing	200	20	35	60	450