

Swivel and fixed castors standard version

Item description/product images



Description

Material:

Housing steel plate.

Wheel body PA 6 with abrasion-resistant polyurethane tread.

Version:

Housing press formed.

Double ball bearing with ball shield in the castor head.

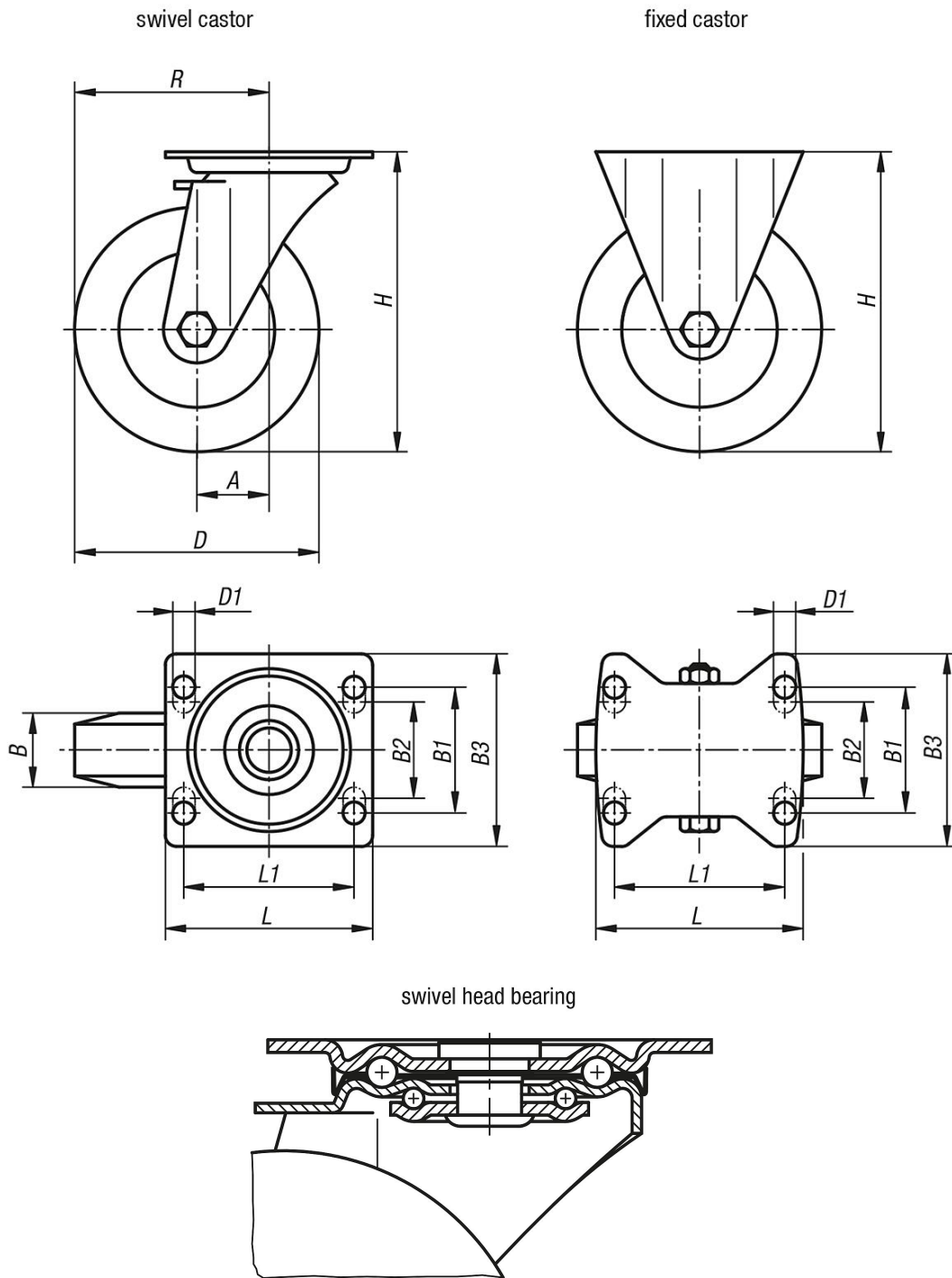
Plain bearing in the wheels.

Note:

The wheels are unbreakable, maintenance-free and non-corroding. Wheel axle bolted. Tread non-marking.

Swivel and fixed castors standard version

Drawings



Overview of items

Swivel and fixed castors standard version

Order No.	Item	Version 1	Wheel bearing	A	B	B1	B2	B3	D	D1	H	L	L1	R	Permissible load kg
K1764.100351	Fixed castor	without locking system	plain bearing	-	35	60	-	85	100	9	125	100	80	-	200
K1764.125351	Fixed castor	without locking system	plain bearing	-	40	60	-	85	125	9	150	100	80	-	200
K1764.150401	Fixed castor	without locking system	plain bearing	-	45	80	75	110	150	11	190	140	105	-	400
K1764.200501	Fixed castor	without locking system	plain bearing	-	50	80	75	110	200	11	235	140	105	-	400

Swivel and fixed castors standard version

Overview of items

Order No.	Item	Version 1	Wheel bearing	A	B	B1	B2	B3	D	D1	H	L	L1	R	Permissible load kg
K1764.10035	Swivel castor	without locking system	plain bearing	36	35	60	-	85	100	9	125	100	80	86	200
K1764.12535	Swivel castor	without locking system	plain bearing	40	40	60	-	85	125	9	150	100	80	102,5	200
K1764.15040	Swivel castor	without locking system	plain bearing	60	45	80	75	110	150	11	190	140	105	135	400
K1764.20050	Swivel castor	without locking system	plain bearing	65	50	80	75	110	200	11	235	140	105	165	400
K1764.100352	Swivel castor	with stop-fix locking system	plain bearing	36	35	60	-	85	100	9	125	100	80	86	200
K1764.125352	Swivel castor	with stop-fix locking system	plain bearing	40	40	60	-	85	125	9	150	100	80	102,5	200
K1764.150402	Swivel castor	with stop-fix locking system	plain bearing	60	45	80	75	110	150	11	190	140	105	135	400
K1764.200502	Swivel castor	with stop-fix locking system	plain bearing	65	50	80	75	110	200	11	235	140	105	165	400