

## Swivel and fixed castors standard version

### Item description/product images

---



### Description

**Material:**

Housing steel plate.

Wheel body PA 6 with vulcanised elastic solid rubber tyre.

**Version:**

Housing press formed.

Double ball bearing with ball shield in castor head.

Roller bearings in the wheels.

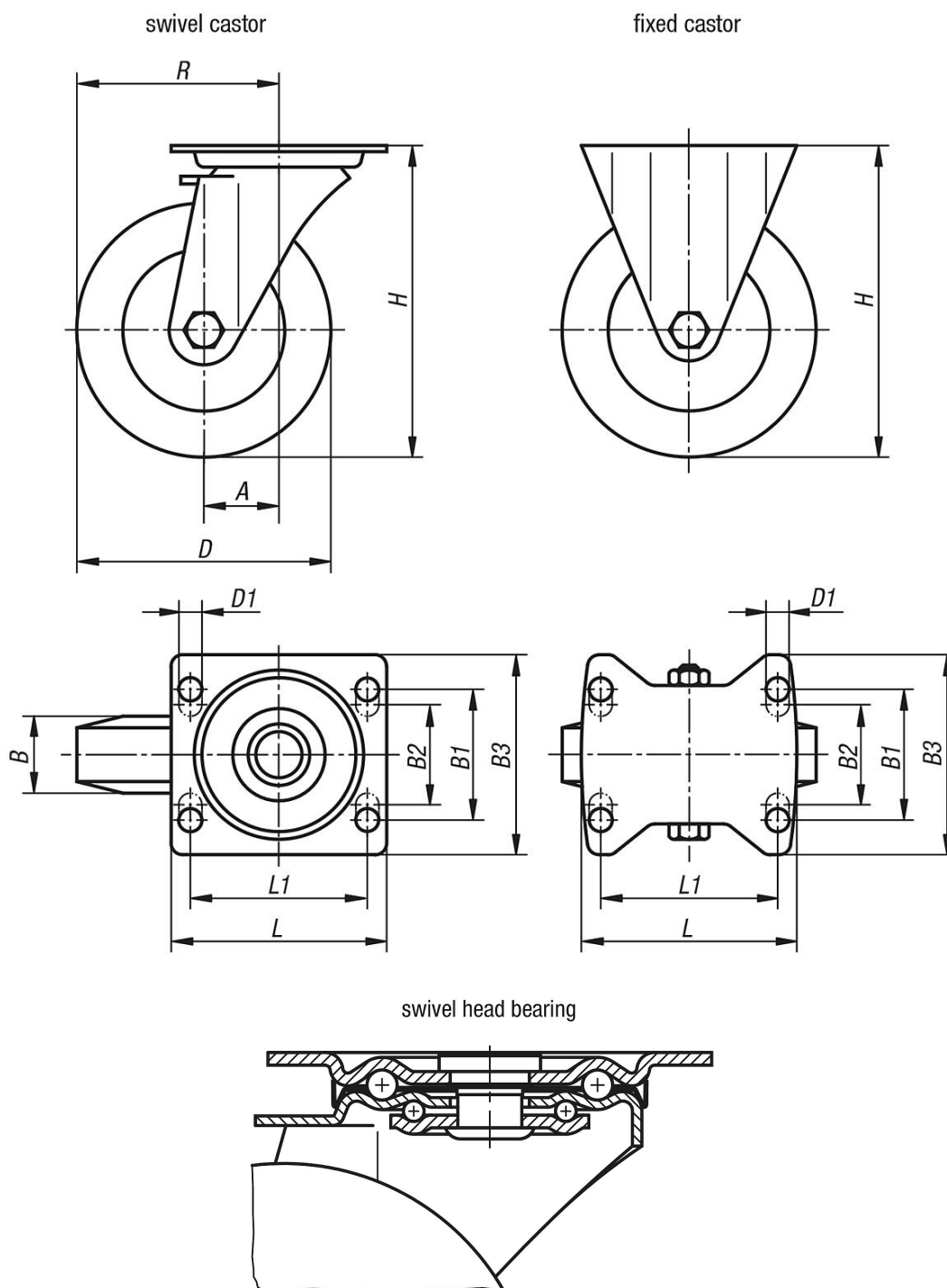
**Note:**

Wheel axle bolted.

Wheels are shock and impact proof.

# Swivel and fixed castors standard version

## Drawings



## Overview of items

### Swivel and fixed castors standard version

Order No.	Item	Version 1	Wheel bearing	A	B	B1	B2	B3	D	D1	H	L	L1	R	Permissible load kg
K1762.100371	Fixed castor	without locking system	roller bearing	-	32	-	60	85	100	9	125	100	80	-	170
K1762.125371	Fixed castor	without locking system	roller bearing	-	37	-	60	85	125	9	150	100	80	-	200
K1762.160501	Fixed castor	without locking system	roller bearing	-	50	75	80	110	160	11	195	140	105	-	350

## Swivel and fixed castors standard version

### Overview of items

Order No.	Item	Version 1	Wheel bearing	A	B	B1	B2	B3	D	D1	H	L	L1	R	Permissible load kg
<b>K1762.200501</b>	Fixed castor	without locking system	roller bearing	-	50	75	80	110	200	11	235	140	105	-	400
<b>K1762.10037</b>	Swivel castor	without locking system	roller bearing	36	32	-	60	85	100	9	125	100	80	86	170
<b>K1762.12537</b>	Swivel castor	without locking system	roller bearing	40	37	-	60	85	125	9	150	100	80	102,5	200
<b>K1762.16050</b>	Swivel castor	without locking system	roller bearing	60	50	75	80	110	160	11	195	140	105	140	350
<b>K1762.20050</b>	Swivel castor	without locking system	roller bearing	65	50	75	80	110	200	11	235	140	105	165	400
<b>K1762.100372</b>	Swivel castor	with stop-fix locking system	roller bearing	36	32	-	60	85	100	9	125	100	80	86	170
<b>K1762.125372</b>	Swivel castor	with stop-fix locking system	roller bearing	40	37	-	60	85	125	9	150	100	80	102,5	200
<b>K1762.160502</b>	Swivel castor	with stop-fix locking system	roller bearing	60	50	75	80	110	160	11	195	140	105	140	350
<b>K1762.200502</b>	Swivel castor	with stop-fix locking system	roller bearing	65	50	75	80	110	200	11	235	140	105	165	400