

## Telescopic slides, stainless steel for side mounting, over-extension, load capacity up to 90 kg

Item description/product images



### Description

#### Material:

Slides stainless steel 1.4301.

Ball cage stainless steel 1.4301.

Balls stainless steel 1.4034.

#### Version:

Slides bright.

Ball cages bright.

Balls bright.

#### Note for ordering:

Sold in pairs.

#### Note:

On telescopic slides with over-extension, the travel is greater than the installed length. Latches in open position. When the release lever is actuated, the drawer can be taken out easily and separated from the guide.

The dynamic load capacity of the telescopic slides indicates the maximum load rating of a vertically mounted slide pair when the entire extension length is used. The load capacity specified is calculated with a slide spacing of 400 mm and is based on the maximum value with 10,000 cycles.

The load capacity is ca. 75% lower by horizontal mounting.

The head height of the fastening screws should not exceed 2.5 mm otherwise there is a risk of collision with other parts of the slide.

#### Advantages:

Latches in open position

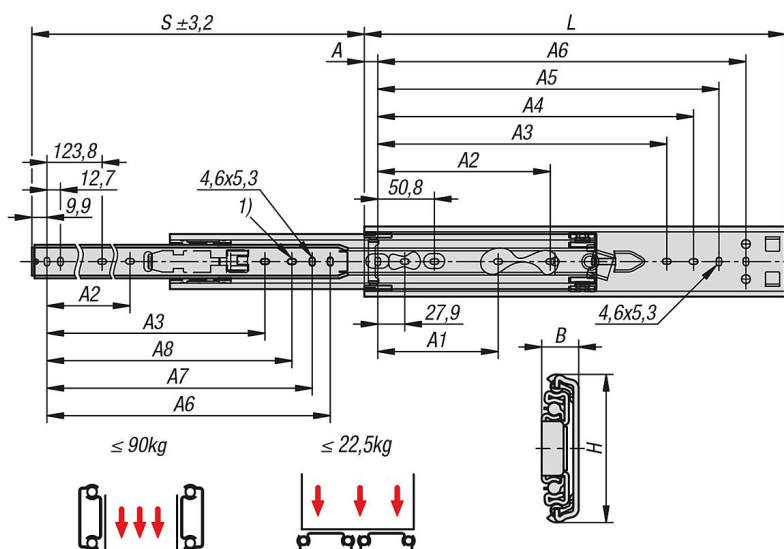
Quick frontal release

#### Drawing reference:

1) Mounting hole by K1716.0305 not provided

## Telescopic slides, stainless steel for side mounting, over-extension, load capacity up to 90 kg

Drawings



### Overview of items

#### Stainless steel telescopic slides for side mounting, over-extension, load capacity up to 90 kg

Order No.	Assembly	Product type	Loading per pair kg	Packaging type
K1716.0305	side mounting	standard	56	1 piece = 1 pair
K1716.0356	side mounting	standard	68	1 piece = 1 pair
K1716.0406	side mounting	standard	80	1 piece = 1 pair
K1716.0457	side mounting	standard	85	1 piece = 1 pair
K1716.0508	side mounting	standard	90	1 piece = 1 pair
K1716.0559	side mounting	standard	90	1 piece = 1 pair
K1716.0610	side mounting	standard	90	1 piece = 1 pair
K1716.0660	side mounting	standard	87	1 piece = 1 pair

Order No.	A	A1	A2	A3	A4	A5	A6	A7	A8	B	H	Travel S	L
K1716.0305	15,9	-	-	-	209,6	235	260,4	247,7	-	12,7	51,6	330	305
K1716.0356	15,9	-	-	-	260,4	285,8	311,2	298,5	285,8	12,7	51,6	381	356
K1716.0406	15,9	123,8	-	-	311,2	336,6	362	349,3	336,6	12,7	51,6	432	406
K1716.0457	15,9	123,8	177,8	314,4	362	387,4	412,8	400,1	387,4	12,7	51,6	483	457
K1716.0508	15,9	123,8	203,2	365,3	412,8	438,2	463,6	450,9	438,2	12,7	51,6	533	508
K1716.0559	15,9	123,8	228,6	416,1	463,6	489	514,4	501,7	489	12,7	51,6	584	559
K1716.0610	15,9	123,8	254	466,9	514,4	539,8	565,2	552,5	539,8	12,7	51,6	635	610
K1716.0660	15,9	123,8	279,4	517,7	565,2	590,6	616	603,3	590,6	12,7	51,6	686	660