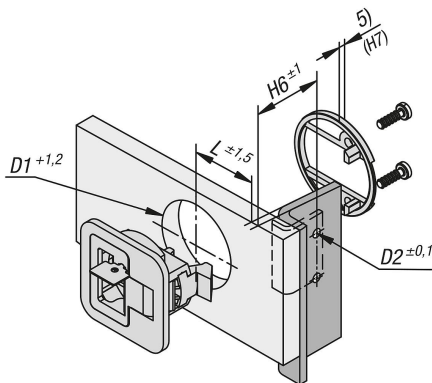
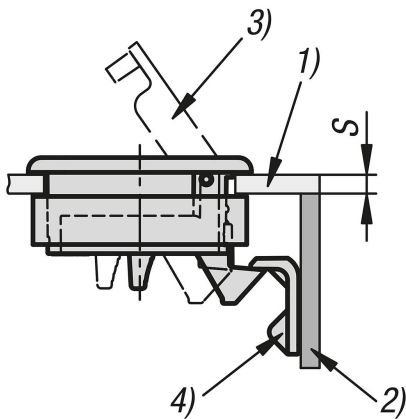


Snap locks, plastic with fold-down grip

Item description/product images



Description

Material:
PC/ABS.

Version:
Housing black, white or beige.
Grip black, chromed, white or beige.

Note:
The fold-down grips enable these snap locks to be installed flush into doors, hatches or panels.
Available in different sizes for different door leaf thicknesses. Additional security with lockable variants.
The spring-loaded grip prevents rattling.

Flammability (plastic version): listed UL94-HB.
Max. torque to tighten the screws: 2 Nm.

Form A: lockable
Form B: not lockable

Type of operation:

When the grip is pulled, the latch retracts and the door can be opened. The door latches automatically when pushed shut. The latch can also be actuated from the rear.

Application:

- Automobile industry
- Medical technology
- Machine construction
- Boat and ship building
- Aviation and aerospace
- Furniture industry

Assembly:

1. Produce a mounting cutout as shown in the drawing.
2. Attach the catch plate.
3. Secure from the rear using the mounting parts supplied.

Supplied with:

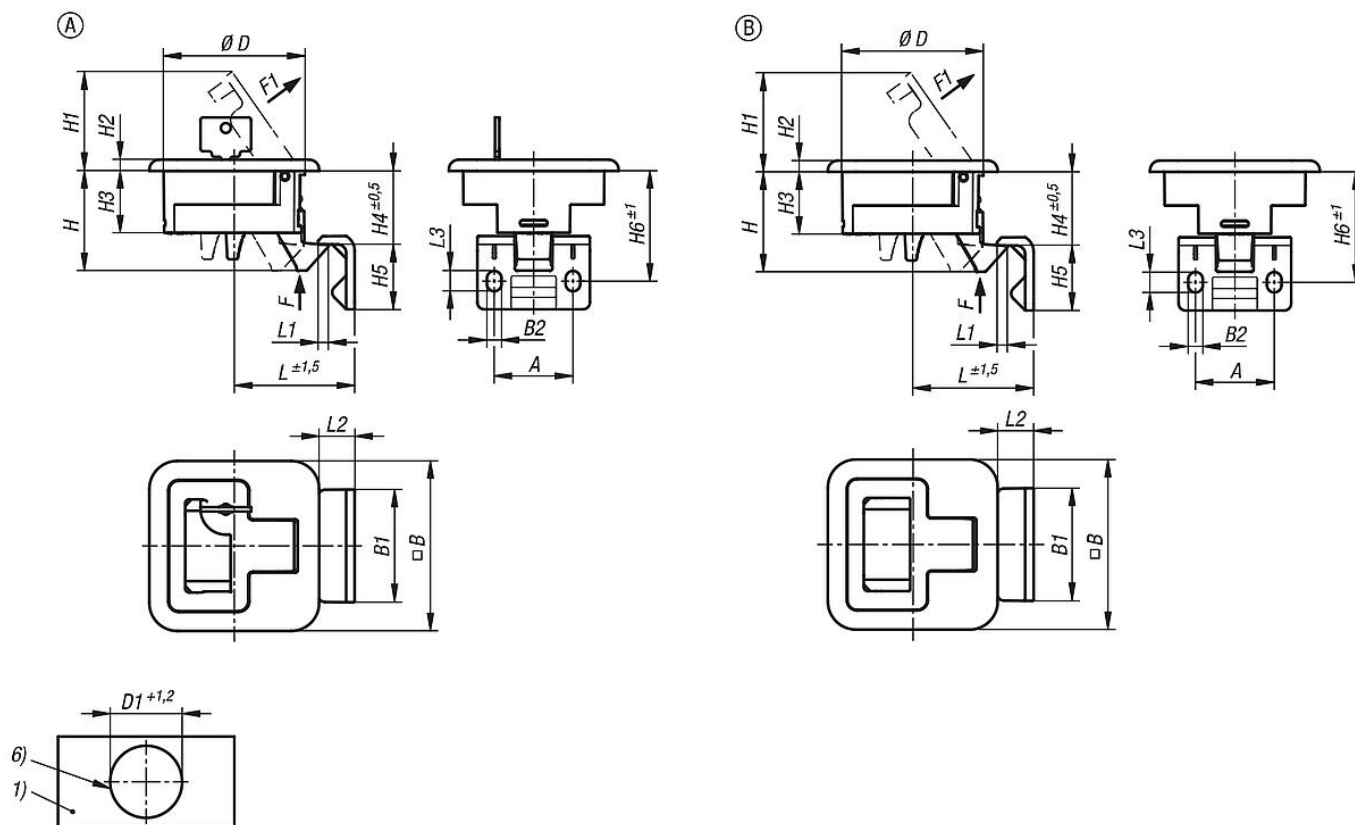
Mounting bracket with M5 screws and catch plate.
The lockable snap locks are each supplied with 2 keys.
M5 screws for the catch plate are not supplied.

Drawing reference:

- 1) Door leaf
- 2) Frame
- 3) Grip
- 4) Catch plate
- 5) Mounting bracket thickness (see Table H7)
- 6) Mounting cutout

Snap locks, plastic with fold-down grip

Drawings



Overview of items

Snap locks, plastic with fold-down grip

Order No.	Form	Form definition	Main colour	Component colour	A	B	B1	B2	D	D1	D2	H	H1	H2
K1651.2102356000	A	lockable	black	black	28	60	40	5,2	50	50	5,5	35,41	35	4
K1651.2107356000	A	lockable	black	black	28	60	40	5,2	50	50	5,5	35,41	35	4
K1651.2112356000	A	lockable	black	black	28	60	40	5,2	50	50	5,5	35,41	35	4
K1651.2117356000	A	lockable	black	black	28	60	40	5,2	50	50	5,5	35,41	35	4
K1651.2102356022	A	lockable	white	white	28	60	40	5,2	50	50	5,5	35,41	35	4
K1651.2107356022	A	lockable	white	white	28	60	40	5,2	50	50	5,5	35,41	35	4
K1651.2112356022	A	lockable	white	white	28	60	40	5,2	50	50	5,5	35,41	35	4
K1651.2117356022	A	lockable	white	white	28	60	40	5,2	50	50	5,5	35,41	35	4
K1651.2102356033	A	lockable	beige	beige	28	60	40	5,2	50	50	5,5	35,41	35	4
K1651.2107356033	A	lockable	beige	beige	28	60	40	5,2	50	50	5,5	35,41	35	4
K1651.2112356033	A	lockable	beige	beige	28	60	40	5,2	50	50	5,5	35,41	35	4
K1651.2117356033	A	lockable	beige	beige	28	60	40	5,2	50	50	5,5	35,41	35	4
K1651.2102356001	A	lockable	black	chromed	28	60	40	5,2	50	50	5,5	35,41	35	4
K1651.2107356001	A	lockable	black	chromed	28	60	40	5,2	50	50	5,5	35,41	35	4
K1651.2112356001	A	lockable	black	chromed	28	60	40	5,2	50	50	5,5	35,41	35	4
K1651.2117356001	A	lockable	black	chromed	28	60	40	5,2	50	50	5,5	35,41	35	4
K1651.2002356000	B	not lockable	black	black	28	60	40	5,2	50	50	5,5	35,5	35	4
K1651.2007356000	B	not lockable	black	black	28	60	40	5,2	50	50	5,5	35,5	35	4
K1651.2012356000	B	not lockable	black	black	28	60	40	5,2	50	50	5,5	35,5	35	4
K1651.2017356000	B	not lockable	black	black	28	60	40	5,2	50	50	5,5	35,5	35	4
K1651.2002356022	B	not lockable	white	white	28	60	40	5,2	50	50	5,5	35,5	35	4
K1651.2007356022	B	not lockable	white	white	28	60	40	5,2	50	50	5,5	35,5	35	4
K1651.2012356022	B	not lockable	white	white	28	60	40	5,2	50	50	5,5	35,5	35	4
K1651.2017356022	B	not lockable	white	white	28	60	40	5,2	50	50	5,5	35,5	35	4
K1651.2002356033	B	not lockable	beige	beige	28	60	40	5,2	50	50	5,5	35,5	35	4
K1651.2007356033	B	not lockable	beige	beige	28	60	40	5,2	50	50	5,5	35,5	35	4

Snap locks, plastic with fold-down grip

Overview of items

Order No.	Form	Form definition	Main colour	Component colour	A	B	B1	B2	D	D1	D2	H	H1	H2
K1651.2012356033	B	not lockable	beige	beige	28	60	40	5,2	50	50	5,5	35,5	35	4
K1651.2017356033	B	not lockable	beige	beige	28	60	40	5,2	50	50	5,5	35,5	35	4
K1651.2002356001	B	not lockable	black	chromed	28	60	40	5,2	50	50	5,5	35,5	35	4
K1651.2007356001	B	not lockable	black	chromed	28	60	40	5,2	50	50	5,5	35,5	35	4
K1651.2012356001	B	not lockable	black	chromed	28	60	40	5,2	50	50	5,5	35,5	35	4
K1651.2017356001	B	not lockable	black	chromed	28	60	40	5,2	50	50	5,5	35,5	35	4

Order No.	Form	Component colour	H3	H4	H5	H6	H7	L	L1	L2	L3	F=retaining force (N)	Traction force F1 N	Temperature range °C	S = Door thickness in mm	Screws
K1651.2102356000	A	black	22	26,1	23	39,2	14	42,9	3,8	12,7	7,2	270	50	-30 to 60	2-7	M5X16
K1651.2107356000	A	black	22	26,1	23	39,2	14	42,9	3,8	12,7	7,2	270	50	-30 to 60	7-12	M5X20
K1651.2112356000	A	black	22	26,1	23	39,2	3,8	42,9	3,8	12,7	7,2	270	50	-30 to 60	12-17	M5X16
K1651.2117356000	A	black	22	26,1	23	39,2	3,8	42,9	3,8	12,7	7,2	270	50	-30 to 60	17-22	M5X20
K1651.2102356022	A	white	22	26,1	23	39,2	14	42,9	3,8	12,7	7,2	270	50	-30 to 60	2-7	M5X16
K1651.2107356022	A	white	22	26,1	23	39,2	14	42,9	3,8	12,7	7,2	270	50	-30 to 60	7-12	M5X20
K1651.2112356022	A	white	22	26,1	23	39,2	3,8	42,9	3,8	12,7	7,2	270	50	-30 to 60	12-17	M5X16
K1651.2117356022	A	white	22	26,1	23	39,2	3,8	42,9	3,8	12,7	7,2	270	50	-30 to 60	17-22	M5X20
K1651.2102356033	A	beige	22	26,1	23	39,2	14	42,9	3,8	12,7	7,2	270	50	-30 to 60	2-7	M5X16
K1651.2107356033	A	beige	22	26,1	23	39,2	14	42,9	3,8	12,7	7,2	270	50	-30 to 60	7-12	M5X20
K1651.2112356033	A	beige	22	26,1	23	39,2	3,8	42,9	3,8	12,7	7,2	270	50	-30 to 60	12-17	M5X16
K1651.2117356033	A	beige	22	26,1	23	39,2	3,8	42,9	3,8	12,7	7,2	270	50	-30 to 60	17-22	M5X20
K1651.2102356001	A	chromed	22	26,1	23	39,2	14	42,9	3,8	12,7	7,2	270	50	-30 to 60	2-7	M5X16
K1651.2107356001	A	chromed	22	26,1	23	39,2	14	42,9	3,8	12,7	7,2	270	50	-30 to 60	7-12	M5X20
K1651.2112356001	A	chromed	22	26,1	23	39,2	3,8	42,9	3,8	12,7	7,2	270	50	-30 to 60	12-17	M5X16
K1651.2117356001	A	chromed	22	26,1	23	39,2	3,8	42,9	3,8	12,7	7,2	270	50	-30 to 60	17-22	M5X20
K1651.2002356000	B	black	22	26,2	23	39,2	14	42,9	3,8	12,7	7,2	270	50	-30 to 60	2-7	M5X16
K1651.2007356000	B	black	22	26,2	23	39,2	14	42,9	3,8	12,7	7,2	270	50	-30 to 60	7-12	M5X20
K1651.2012356000	B	black	22	26,2	23	39,2	3,8	42,9	3,8	12,7	7,2	270	50	-30 to 60	12-17	M5X16
K1651.2017356000	B	black	22	26,2	23	39,2	3,8	42,9	3,8	12,7	7,2	270	50	-30 to 60	17-22	M5X20
K1651.2002356022	B	white	22	26,2	23	39,2	14	42,9	3,8	12,7	7,2	270	50	-30 to 60	2-7	M5X16
K1651.2007356022	B	white	22	26,2	23	39,2	14	42,9	3,8	12,7	7,2	270	50	-30 to 60	7-12	M5X20
K1651.2012356022	B	white	22	26,2	23	39,2	3,8	42,9	3,8	12,7	7,2	270	50	-30 to 60	12-17	M5X16
K1651.2017356022	B	white	22	26,2	23	39,2	3,8	42,9	3,8	12,7	7,2	270	50	-30 to 60	17-22	M5X20
K1651.2002356033	B	beige	22	26,2	23	39,2	14	42,9	3,8	12,7	7,2	270	50	-30 to 60	2-7	M5X16
K1651.2007356033	B	beige	22	26,2	23	39,2	14	42,9	3,8	12,7	7,2	270	50	-30 to 60	7-12	M5X20
K1651.2012356033	B	beige	22	26,2	23	39,2	3,8	42,9	3,8	12,7	7,2	270	50	-30 to 60	12-17	M5X16
K1651.2017356033	B	beige	22	26,2	23	39,2	3,8	42,9	3,8	12,7	7,2	270	50	-30 to 60	17-22	M5X20
K1651.2002356001	B	chromed	22	26,2	23	39,2	14	42,9	3,8	12,7	7,2	270	50	-30 to 60	2-7	M5X16
K1651.2007356001	B	chromed	22	26,2	23	39,2	14	42,9	3,8	12,7	7,2	270	50	-30 to 60	7-12	M5X20
K1651.2012356001	B	chromed	22	26,2	23	39,2	3,8	42,9	3,8	12,7	7,2	270	50	-30 to 60	12-17	M5X16
K1651.2017356001	B	chromed	22	26,2	23	39,2	3,8	42,9	3,8	12,7	7,2	270	50	-30 to 60	17-22	M5X20