

## Tubular handles, plastic, with electronic switch function and one push button

Item description/product images



### Description

#### Material:

Grip legs PA6 plastic.

Grip tube PVC plastic.

#### Version:

Grip legs fine textured, black.

Grip tube turned, black.

#### Note:

Form A:

Push button (changer)

2 LED'S

Plug 8 pin

Form B:

Emergency stop (2 opener)

Push button (changer)

2 LED'S

Plug 12 pin

Plug mounted in the grip leg from the lower tube axis.

Connector (K1498) with 10 m cable available as accessory. Please order separately.

Rating: IP65 when connector is screwed on.

Optically matching tubular handle without electronic switch function (K1528) available.

#### Assembly:

From the front.

#### Drawing reference:

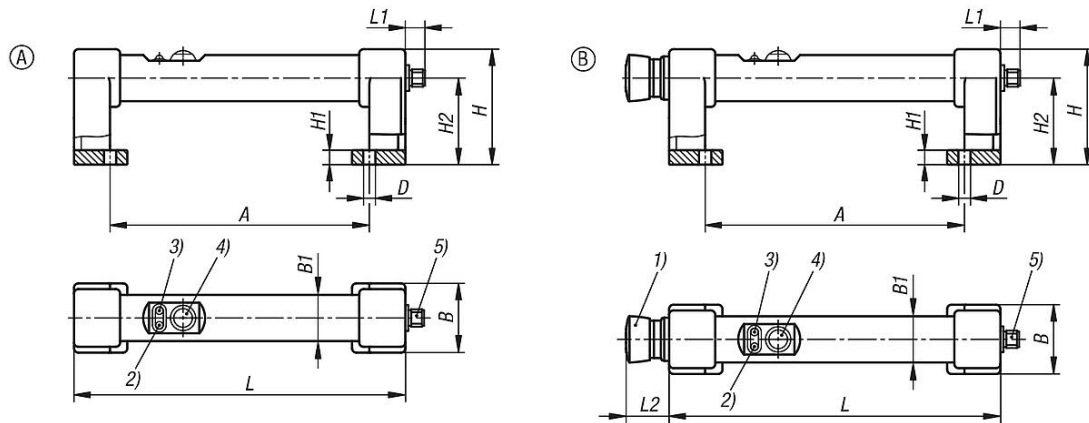
- 1) Emergency stop
- 2) Red LED
- 3) Green LED
- 4) Push button
- 5) Connector, M12x1

## Tubular handles, plastic, with electronic switch function and one push button

Item description/product images



### Drawings



### Overview of items

#### Tubular handles, plastic with electronic switch function

Order No.	Form	A	B	B1	D	H	H1	H2	L	L1	L2	Load capacity N
K1529.180	A	180	48	32	8,5	80	10	60	230	13	-	1000
K1529.1180	B	180	48	32	8,5	80	10	60	230	13	30	1000