

## Mushroom knobs internal thread

### Item description/product images



### Description

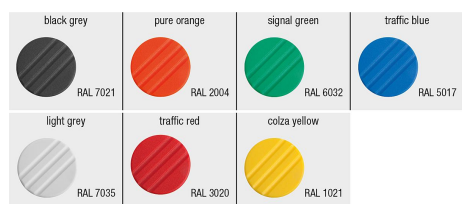
**Material:**

Black thermoplastic.

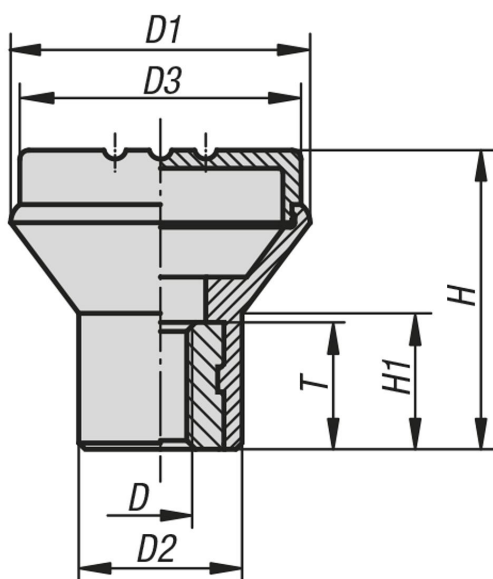
Bush grade 5.8 steel or 1.4305 stainless steel.

**Version:**

Steel trivalent blue passivated, stainless steel bright.



### Drawings



### Overview of items

#### Mushroom knobs with internal thread

Order No.	Component material	Colour Cap	D	D1	D2	D3	H	H1	T
K0251.004	stainless steel	black grey RAL 7021	M4	21	12	19	21	10	10
K0251.0041	stainless steel	orange RAL 2004	M4	21	12	19	21	10	10
K0251.0046	stainless steel	traffic red RAL 3020	M4	21	12	19	21	10	10
K0251.0042	stainless steel	signal green RAL6032	M4	21	12	19	21	10	10
K0251.0047	stainless steel	colza yellow RAL 1021	M4	21	12	19	21	10	10
K0251.0043	stainless steel	blue RAL5017	M4	21	12	19	21	10	10
K0251.0045	stainless steel	light grey RAL 7035	M4	21	12	19	21	10	10
K0251.0051	stainless steel	orange RAL 2004	M5	21	12	19	21	10	10

## Mushroom knobs internal thread

### Overview of items

Order No.	Component material	Colour Cap	D	D1	D2	D3	H	H1	T
K0251.0052	stainless steel	signal green RAL6032	M5	21	12	19	21	10	10
K0251.005	stainless steel	black grey RAL 7021	M5	21	12	19	21	10	10
K0251.0053	stainless steel	blue RAL5017	M5	21	12	19	21	10	10
K0251.0057	stainless steel	colza yellow RAL 1021	M5	21	12	19	21	10	10
K0251.0055	stainless steel	light grey RAL 7035	M5	21	12	19	21	10	10
K0251.0056	stainless steel	traffic red RAL 3020	M5	21	12	19	21	10	10
K0251.0067	stainless steel	colza yellow RAL 1021	M6	25	14	23	25	12	10
K0251.0065	stainless steel	light grey RAL 7035	M6	25	14	23	25	12	10
K0251.0063	stainless steel	blue RAL5017	M6	25	14	23	25	12	10
K0251.0062	stainless steel	signal green RAL6032	M6	25	14	23	25	12	10
K0251.0061	stainless steel	orange RAL 2004	M6	25	14	23	25	12	10
K0251.006	stainless steel	black grey RAL 7021	M6	25	14	23	25	12	10
K0251.0066	stainless steel	traffic red RAL 3020	M6	25	14	23	25	12	10
K0251.0086	stainless steel	traffic red RAL 3020	M8	33	18	31	33	15	14
K0251.0085	stainless steel	light grey RAL 7035	M8	33	18	31	33	15	14
K0251.0083	stainless steel	blue RAL5017	M8	33	18	31	33	15	14
K0251.0082	stainless steel	signal green RAL6032	M8	33	18	31	33	15	14
K0251.0081	stainless steel	orange RAL 2004	M8	33	18	31	33	15	14
K0251.008	stainless steel	black grey RAL 7021	M8	33	18	31	33	15	14
K0251.0087	stainless steel	colza yellow RAL 1021	M8	33	18	31	33	15	14
K0251.041	steel	orange RAL 2004	M4	21	12	19	21	10	10
K0251.042	steel	signal green RAL6032	M4	21	12	19	21	10	10
K0251.04	steel	black grey RAL 7021	M4	21	12	19	21	10	10
K0251.043	steel	blue RAL5017	M4	21	12	19	21	10	10
K0251.047	steel	colza yellow RAL 1021	M4	21	12	19	21	10	10
K0251.045	steel	light grey RAL 7035	M4	21	12	19	21	10	10
K0251.046	steel	traffic red RAL 3020	M4	21	12	19	21	10	10
K0251.056	steel	traffic red RAL 3020	M5	21	12	19	21	10	10
K0251.055	steel	light grey RAL 7035	M5	21	12	19	21	10	10
K0251.057	steel	colza yellow RAL 1021	M5	21	12	19	21	10	10
K0251.053	steel	blue RAL5017	M5	21	12	19	21	10	10
K0251.05	steel	black grey RAL 7021	M5	21	12	19	21	10	10
K0251.052	steel	signal green RAL6032	M5	21	12	19	21	10	10
K0251.051	steel	orange RAL 2004	M5	21	12	19	21	10	10
K0251.061	steel	orange RAL 2004	M6	25	14	23	25	12	10
K0251.067	steel	colza yellow RAL 1021	M6	25	14	23	25	12	10
K0251.06	steel	black grey RAL 7021	M6	25	14	23	25	12	10
K0251.066	steel	traffic red RAL 3020	M6	25	14	23	25	12	10
K0251.062	steel	signal green RAL6032	M6	25	14	23	25	12	10
K0251.065	steel	light grey RAL 7035	M6	25	14	23	25	12	10
K0251.063	steel	blue RAL5017	M6	25	14	23	25	12	10
K0251.081	steel	orange RAL 2004	M8	33	18	31	33	15	14
K0251.082	steel	signal green RAL6032	M8	33	18	31	33	15	14
K0251.083	steel	blue RAL5017	M8	33	18	31	33	15	14
K0251.085	steel	light grey RAL 7035	M8	33	18	31	33	15	14
K0251.086	steel	traffic red RAL 3020	M8	33	18	31	33	15	14
K0251.08	steel	black grey RAL 7021	M8	33	18	31	33	15	14
K0251.087	steel	colza yellow RAL 1021	M8	33	18	31	33	15	14