

Linear actuator connector clamps cross

Item description/product images



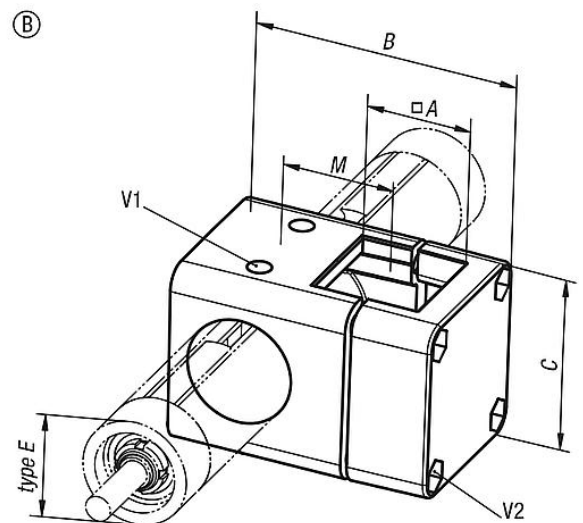
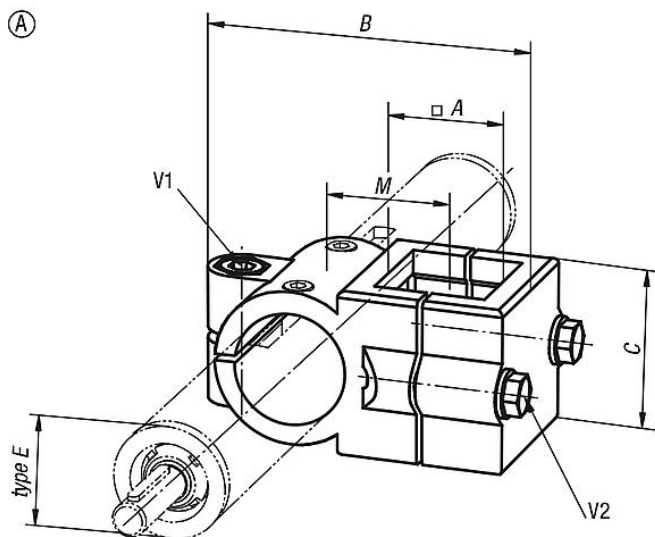
Description

Material:
Cast aluminium.
Screws and nuts steel.

Version:
Black powder-coated.
Clamping screws and nuts electro zinc-plated.

On request:
Clamping levers for tightening.

Drawings



Overview of items

Linear actuator connector clamps, cross

Order No.	Form	Type E	A	B	C	M	V1	V2
K0497.3030	A	30	30	86	45	33	M8x35	M8x35
K0497.4040	A	40	40	117	60	47	M10x50	M8x45
K0497.5050	B	50	50	126	86	53	M8x50	M8x50