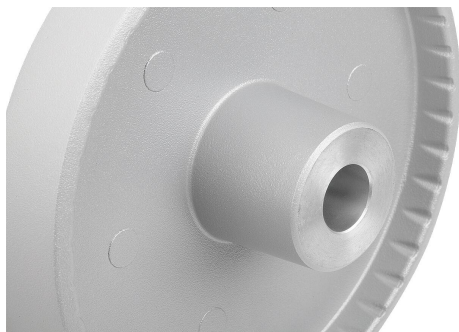
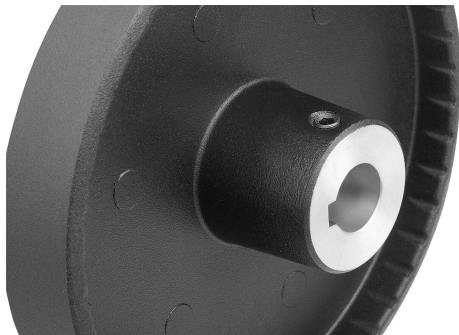
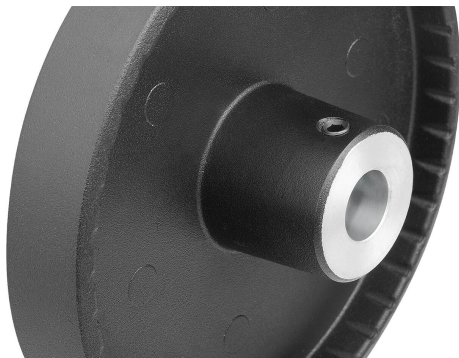


Disc handwheels, aluminium with fold-down cylindrical grip

Item description/product images



Description

Material:

Handwheel aluminium.
Cylinder grip and hub cover black thermoplastic.
Cylinder grip pin black oxidised steel.
ISO 4027 grub screw, steel grade 45 H, black.

Version:

Black or silver powder-coated.

With reamed hole.

With reamed hole and keyway.

With reamed hole and transverse bore.

With reamed hole, keyway and transverse bore.

Note:

Wheel rim radial and axial run-out ≤ 0.4 mm.

Assembly:

The hub cover is supplied unassembled.

The handwheels can be secured to a shaft using a transverse pin or by parallel key connection together with a DIN 6912 cap screw and a handwheel washer K0173.

By the versions with transverse bore, fixation is carried out using an ISO 4027 grub screw.

Supplied with:

Aluminium handwheel.

Hub cover.

Fold-down cylinder grip.

ISO 4027 grub screw (type with transverse bore).

Accessory:

K0173 Handwheel washers.

K1160 Socket head screws with low head DIN 6912.

Drawing reference:

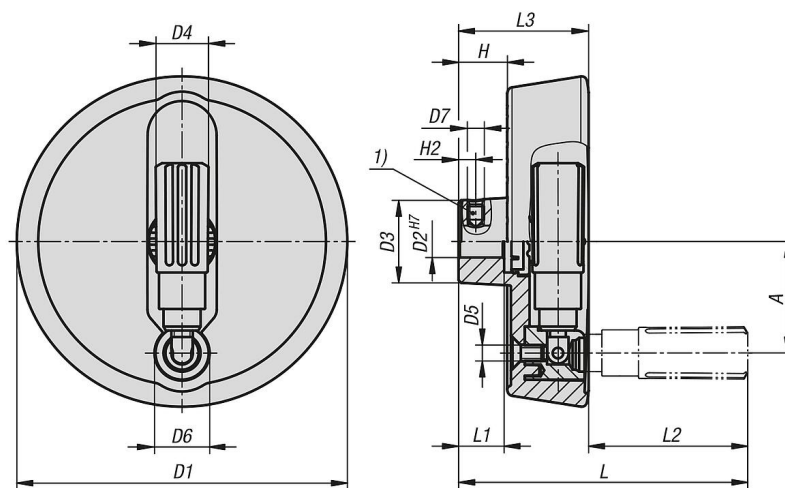
1) Position of the transverse bore to the keyway is offset by 90° .

Disc handwheels, aluminium with fold-down cylindrical grip

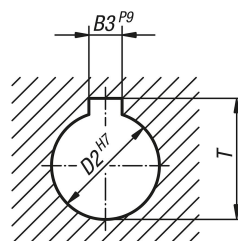
Item description/product images



Drawings



DIN 6885-1



Overview of items

Disc handwheels, aluminium with fold-down cylindrical grip

Disc handwheels, aluminium with fold-down cylindrical grip

Overview of items

Order No.	Main colour	Form	Form definition	A	B3	D1	D2	D3	D4	D5	D6	D7	H	H2	L	L1	L2	L3	T
K1522.1001016	black	A	reamed hole with tranverse bore	33	-	100	10	28	16	M5	16	M6	17,4	5,5	92,5	17	47,5	45	-
K1522.1001216	black	A	reamed hole with tranverse bore	33	-	100	12	28	16	M5	16	M6	17,4	6,5	92,5	17	47,5	45	-
K1522.1251216	black	A	reamed hole with tranverse bore	42	-	125	12	31	19,9	M6	20	M6	18,3	6,5	105,5	18	56,5	49	-
K1522.1251416	black	A	reamed hole with tranverse bore	42	-	125	14	31	19,9	M6	20	M6	18,3	6,5	105,5	18	56,5	49	-
K1522.1001026	silver	A	reamed hole with tranverse bore	33	-	100	10	28	16	M5	16	M6	17,4	5,5	92,5	17	47,5	45	-
K1522.1001226	silver	A	reamed hole with tranverse bore	33	-	100	12	28	16	M5	16	M6	17,4	6,5	92,5	17	47,5	45	-
K1522.1251226	silver	A	reamed hole with tranverse bore	42	-	125	12	31	19,9	M6	20	M6	18,3	6,5	105,5	18	56,5	49	-
K1522.1251426	silver	A	reamed hole with tranverse bore	42	-	125	14	31	19,9	M6	20	M6	18,3	6,5	105,5	18	56,5	49	-
K1522.100101036	black	B	reamed hole with slot, with tranverse bore	33	3	100	10	28	16	M5	16	M6	17,4	5,5	92,5	17	47,5	45	11,4
K1522.100121046	black	B	reamed hole with slot, with tranverse bore	33	4	100	12	28	16	M5	16	M6	17,4	6,5	92,5	17	47,5	45	13,8
K1522.125121046	black	B	reamed hole with slot, with tranverse bore	42	4	125	12	31	19,9	M6	20	M6	18,3	6,5	105,5	18	56,5	49	13,8
K1522.125141056	black	B	reamed hole with slot, with tranverse bore	42	5	125	14	31	19,9	M6	20	M6	18,3	6,5	105,5	18	56,5	49	16,3
K1522.100102036	silver	B	reamed hole with slot, with tranverse bore	33	3	100	10	28	16	M5	16	M6	17,4	5,5	92,5	17	47,5	45	11,4
K1522.100122046	silver	B	reamed hole with slot, with tranverse bore	33	4	100	12	28	16	M5	16	M6	17,4	6,5	92,5	17	47,5	45	13,8
K1522.125122046	silver	B	reamed hole with slot, with tranverse bore	42	4	125	12	31	19,9	M6	20	M6	18,3	6,5	105,5	18	56,5	49	13,8
K1522.125142056	silver	B	reamed hole with slot, with tranverse bore	42	5	125	14	31	19,9	M6	20	M6	18,3	6,5	105,5	18	56,5	49	16,3
K1522.10010103	black	C	reamed hole with slot	33	3	100	10	28	16	M5	16	-	17,4	-	92,5	17	47,5	45	11,4
K1522.10012104	black	C	reamed hole with slot	33	4	100	12	28	16	M5	16	-	17,4	-	92,5	17	47,5	45	13,8
K1522.12512104	black	C	reamed hole with slot	42	4	125	12	31	19,9	M6	20	-	18,3	-	105,5	18	56,5	49	13,8
K1522.12514105	black	C	reamed hole with slot	42	5	125	14	31	19,9	M6	20	-	18,3	-	105,5	18	56,5	49	16,3
K1522.10010203	silver	C	reamed hole with slot	33	3	100	10	28	16	M5	16	-	17,4	-	92,5	17	47,5	45	11,4
K1522.10012204	silver	C	reamed hole with slot	33	4	100	12	28	16	M5	16	-	17,4	-	92,5	17	47,5	45	13,8
K1522.12512204	silver	C	reamed hole with slot	42	4	125	12	31	19,9	M6	20	-	18,3	-	105,5	18	56,5	49	13,8
K1522.12514205	silver	C	reamed hole with slot	42	5	125	14	31	19,9	M6	20	-	18,3	-	105,5	18	56,5	49	16,3
K1522.100101	black	E	with reamed hole	33	-	100	10	28	16	M5	16	-	17,4	-	92,5	17	47,5	45	-
K1522.100121	black	E	with reamed hole	33	-	100	12	28	16	M5	16	-	17,4	-	92,5	17	47,5	45	-
K1522.125121	black	E	with reamed hole	42	-	125	12	31	19,9	M6	20	-	18,3	-	105,5	18	56,5	49	-
K1522.125141	black	E	with reamed hole	42	-	125	14	31	19,9	M6	20	-	18,3	-	105,5	18	56,5	49	-
K1522.100102	silver	E	with reamed hole	33	-	100	10	28	16	M5	16	-	17,4	-	92,5	17	47,5	45	-
K1522.100122	silver	E	with reamed hole	33	-	100	12	28	16	M5	16	-	17,4	-	92,5	17	47,5	45	-
K1522.125122	silver	E	with reamed hole	42	-	125	12	31	19,9	M6	20	-	18,3	-	105,5	18	56,5	49	-
K1522.125142	silver	E	with reamed hole	42	-	125	14	31	19,9	M6	20	-	18,3	-	105,5	18	56,5	49	-