

Ball transfer units steel with lockable ball

Item description/product images



Description

Material:

Housing steel.

Lever polyamide.

Load ball stainless steel 1.4034 or polyamide.

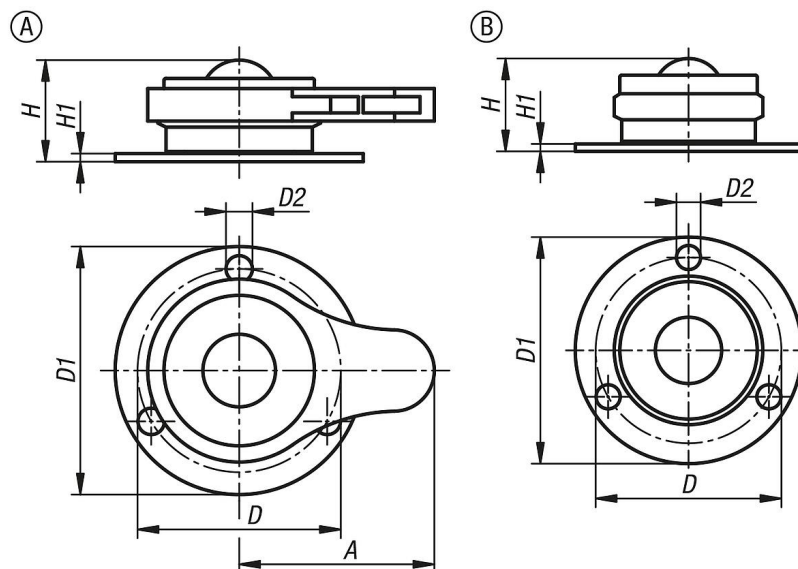
Version:

Steel electro zinc-plated.

Note:

Ball transfer units with lockable balls are suitable for transporting and positioning sensitive goods such as glass or polished aluminium, brass and steel sheets. Ball transfer units can also be used as an alternative to standard rollers, making it easy to transport and position low profiles, e.g. in retail, production or at home.

Drawings



Overview of items

Ball transfer units steel with lockable ball

| Order No. | Form | Form definition | Component material | Ball-Ø | A | D | D1 | D2 | H | H1 | Max load in kg ball on top | Max load in kg ball under |
|------------|------|------------------|----------------------|--------|----|----|----|-----|----|----|----------------------------|---------------------------|
| K1734.1119 | A | with clamping | ball stainless steel | 19 | 48 | 50 | 63 | 6,5 | 25 | 2 | 120 | 80 |
| K1734.2119 | A | with clamping | ball polyamide | 19 | 48 | 50 | 63 | 6,5 | 25 | 2 | 120 | 80 |
| K1734.1219 | B | without clamping | ball stainless steel | 19 | - | 50 | 63 | 6,5 | 25 | 2 | 120 | 80 |
| K1734.2219 | B | without clamping | ball polyamide | 19 | - | 50 | 63 | 6,5 | 25 | 2 | 120 | 80 |