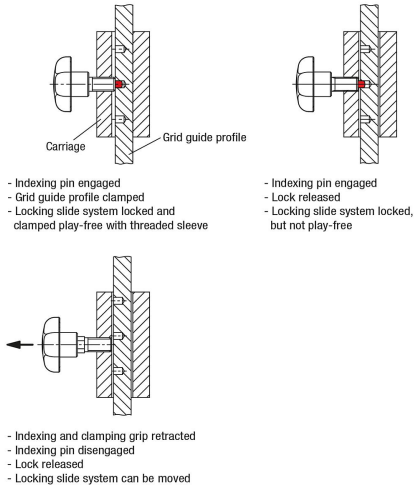


Indexing and clamping grips, steel with plastic star grip

Item description/product images



Description

Product description:

The indexing and clamping grips enable the positioning, securing and clamping of diverse positioning elements with just one product. Indexing is carried out using the indexing pin and the item is clamped using the end face of the sleeve.

Material:

Star grip black grey thermoplastic.
Threaded sleeve 1.0718.
Indexing pin stainless steel 1.4305.

Version:

Steel electro zinc-plated.
Stainless steel bright.

Advantages:

Indexing and clamping with one product.
Ergonomic operation via star grip.

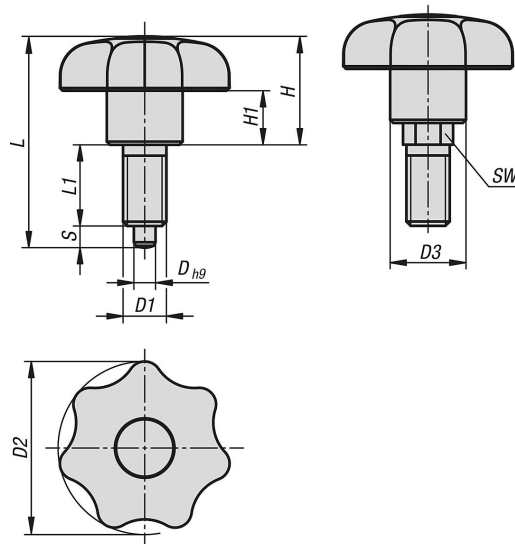
On request:

Special versions.

Accessory:

Hexagon nuts thin DIN 439

Drawings



Overview of items

Indexing and clamping grip

| Order No. | D | D1 | D2 | D3 | H | H1 | L | L1 | Travel S | SW |
|--------------|---|-----|----|----|------|----|------|----|----------|----|
| K1582.108040 | 4 | M8 | 32 | 14 | 20 | 10 | 39 | 15 | 4 | 8 |
| K1582.210050 | 5 | M10 | 40 | 18 | 24,9 | 13 | 46,9 | 17 | 5 | 10 |

Indexing and clamping grips, steel with plastic star grip

Overview of items

| Order No. | D | D1 | D2 | D3 | H | H1 | L | L1 | Travel S | SW |
|--------------|---|---------|----|----|------|----|------|----|-------------|----|
| K1582.312060 | 6 | M12 | 50 | 22 | 31,8 | 17 | 57,8 | 20 | 6 | 12 |
| K1582.416080 | 8 | M16 | 63 | 26 | 40 | 21 | 74 | 26 | 8 | 16 |
| K1582.108041 | 4 | M8x1 | 32 | 14 | 20 | 10 | 39 | 15 | 4 | 8 |
| K1582.210051 | 5 | M10x1 | 40 | 18 | 24,9 | 13 | 46,9 | 17 | 5 | 10 |
| K1582.312061 | 6 | M12x1,5 | 50 | 22 | 31,8 | 17 | 57,8 | 20 | 6 | 12 |
| K1582.416081 | 8 | M16x1,5 | 63 | 26 | 40 | 21 | 74 | 26 | 8 | 16 |