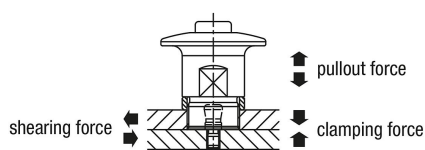


## Push button latches, stainless steel

### Item description/product images



### Description

#### Product description:

Push button latches are used for replacing and locking fixtures or hatches quickly and easily.

Toolless clamping shortens setup times.

#### Material:

Housing and push button stainless steel.

#### Version:

Housing and push button bright.

#### Note:

Form A for plate thickness 3 to 10 mm.

Form B for plate thickness 3 to 27 mm.

#### Type of operation:

Press the latch over the clamping pin without pressing the knob. The latch is now locked.

To release, press the button and pull the latch off.

#### Application:

Mounting option A in combination with spacer rings, for plate thickness 3 to 10 mm.

Mounting option B for plate thickness 10 to 27 mm.

#### Attention:

The specified pull-out forces apply only in combination with clamping pin K1564.

#### Accessory:

Spacer rings K1563.

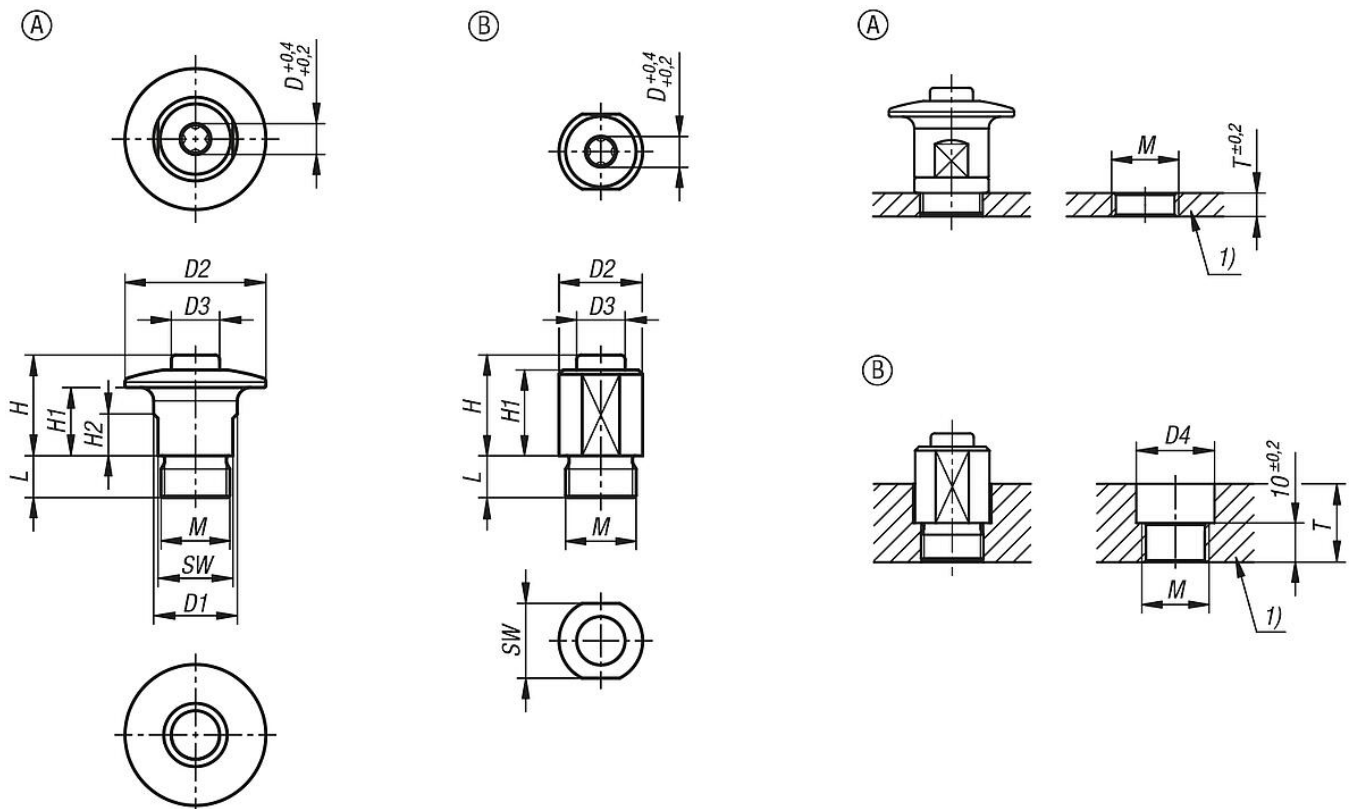
Clamping pins K1564.

#### Drawing reference:

1) plate

## Push button latches, stainless steel

### Drawings



### Overview of items

#### Push button latches stainless steel

Order No.	Form	Version 1	D	D1	D2	D3	D4	H	H1	H2	L	M	SW	T	Clamping force N	Shearing force kN	Pullout force F kN	Temperature resistance
K1562.11	A	with head	6	19	32	11	-	23	15,5	8,5	9,5	M16X1	17	3	6	1,1	0,25	≤180 °C
K1562.12	B	without head	6	-	19	11	20	23	19,5	-	9,5	M16X1	17	10-27	6	1,1	0,25	≤180 °C