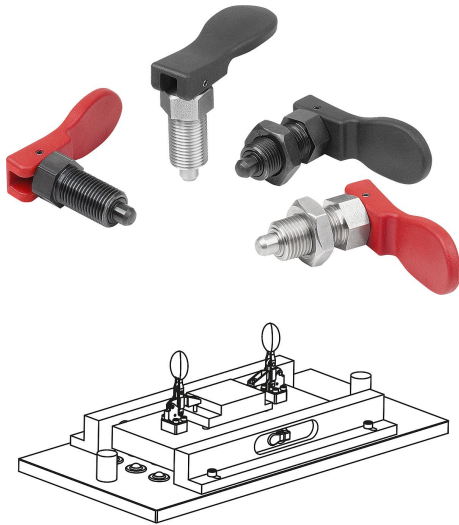


Indexing plungers, steel or stainless steel with plastic cam lever

Item description/product images



Description

Product description:

Indexing plungers are used where it is necessary to prevent changes of position due to lateral forces. A new locking position can be set only after the plunger has been manually disengaged. With this indexing plunger a cam lever is used to retract the pin. The indexing plunger remains unlocked as long as the handle is positioned over the dead-centre of the cam.

The ergonomic cam lever enables light handling with low effort.

Material:

Steel version:

Grub screw and indexing pin steel.

Stainless steel version:

Threaded sleeve 1.4305.

Indexing pin 1.4305.

Handle fibreglass reinforced thermoplastic PPA (high temperature resistant).

Version:

Steel version:

Threaded sleeve, black oxidised.

Indexing pin hardened, ground and black oxidised.

Stainless steel version:

Threaded sleeve, bright.

Indexing pin ground and left bright.

Grip black or traffic red RAL3020.

Temperature range:

Permanent operating temperature acc. to IEC 216 max. 160°C.

Short-term operating temperature max. 250°C.

Advantages:

Simple and quick operation.

Suitable for high temperature applications.

With integrated detent function.

On request:

Special versions.

Accessory:

Spacer rings K0665

Positioning bushes for indexing plunger K1290

Mounting brackets K0638

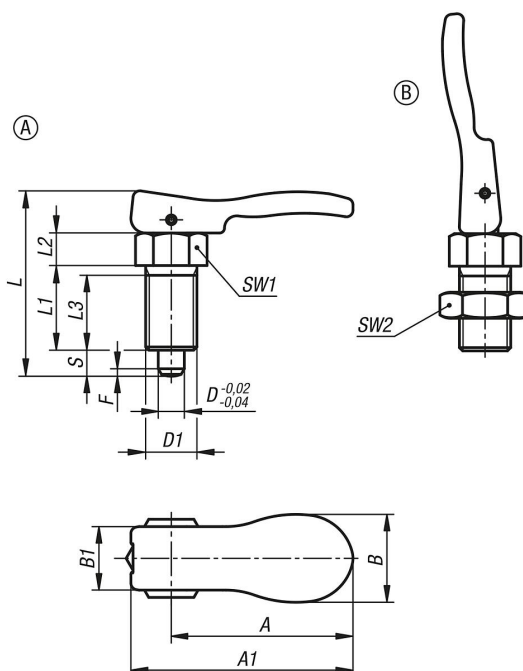
Drawing reference:

Form A: without locknut

Form B: with locknut

Indexing plungers, steel or stainless steel with plastic cam lever

Drawings



Overview of items

Indexing plunger with cam lever, steel or stainless steel

Order No.	Main material	Component colour	Form	Locknut	A	A1	B	B1	D	D1	Travel S	L	L1	L2	L3	SW1	SW2	Fx30°	Spring force initial pressure F1 approx. N	Spring force final pressure F2 approx. N
K1584.8105	steel	black	A	without locknut	31,741,7	17,9	12,9	5	M10x1	5	39	17	7	15	13	-	1,3	5	12	
K1584.8206	steel	black	A	without locknut	31,641,7	17,9	12,9	6	M12x1,5	6	44	20	8	17	14	-	1,8	6	14	
K1584.8308	steel	black	A	without locknut	55,567,8	26,9	19,4	8	M16x1,5	8	56,9	26	10	23	19	-	2,3	15	35	
K1584.8410	steel	black	A	without locknut	53,467,8	26,9	19,4	10	M20x1,5	10	62,9	28	12	25	22	-	2,8	15	34	
K1584.8105154	steel	traffic red RAL 3020	A	without locknut	31,741,7	17,9	12,9	5	M10x1	5	39	17	7	15	13	-	1,3	5	12	
K1584.8206154	steel	traffic red RAL 3020	A	without locknut	31,641,7	17,9	12,9	6	M12x1,5	6	44	20	8	17	14	-	1,8	6	14	
K1584.8308154	steel	traffic red RAL 3020	A	without locknut	55,567,8	26,9	19,4	8	M16x1,5	8	56,9	26	10	23	19	-	2,3	15	35	
K1584.8410154	steel	traffic red RAL 3020	A	without locknut	53,467,8	26,9	19,4	10	M20x1,5	10	62,9	28	12	25	22	-	2,8	15	34	
K1584.18105	stainless steel	black	A	without locknut	31,741,7	17,9	12,9	5	M10x1	5	39	17	7	15	13	-	1,3	5	12	
K1584.18206	stainless steel	black	A	without locknut	31,641,7	17,9	12,9	6	M12x1,5	6	44	20	8	17	14	-	1,8	6	14	
K1584.18308	stainless steel	black	A	without locknut	55,567,8	26,9	19,4	8	M16x1,5	8	56,9	26	10	23	19	-	2,3	15	35	
K1584.18410	stainless steel	black	A	without locknut	53,467,8	26,9	19,4	10	M20x1,5	10	62,9	28	12	25	22	-	2,8	15	34	
K1584.18105154	stainless steel	traffic red RAL 3020	A	without locknut	31,741,7	17,9	12,9	5	M10x1	5	39	17	7	15	13	-	1,3	5	12	
K1584.18206154	stainless steel	traffic red RAL 3020	A	without locknut	31,641,7	17,9	12,9	6	M12x1,5	6	44	20	8	17	14	-	1,8	6	14	
K1584.18308154	stainless steel	traffic red RAL 3020	A	without locknut	55,567,8	26,9	19,4	8	M16x1,5	8	56,9	26	10	23	19	-	2,3	15	35	
K1584.18410154	stainless steel	traffic red RAL 3020	A	without locknut	53,467,8	26,9	19,4	10	M20x1,5	10	62,9	28	12	25	22	-	2,8	15	34	
K1584.9105	steel	black	B	with locknut	31,741,7	17,9	12,9	5	M10x1	5	39	17	7	15	13	17	1,3	5	12	
K1584.9206	steel	black	B	with locknut	31,641,7	17,9	12,9	6	M12x1,5	6	44	20	8	17	14	19	1,8	6	14	
K1584.9308	steel	black	B	with locknut	55,567,8	26,9	19,4	8	M16x1,5	8	56,9	26	10	23	19	24	2,3	15	35	
K1584.9410	steel	black	B	with locknut	53,467,8	26,9	19,4	10	M20x1,5	10	62,9	28	12	25	22	30	2,8	15	34	
K1584.9105154	steel	traffic red RAL 3020	B	with locknut	31,741,7	17,9	12,9	5	M10x1	5	39	17	7	15	13	17	1,3	5	12	
K1584.9206154	steel	traffic red RAL 3020	B	with locknut	31,641,7	17,9	12,9	6	M12x1,5	6	44	20	8	17	14	19	1,8	6	14	
K1584.9308154	steel	traffic red RAL 3020	B	with locknut	55,567,8	26,9	19,4	8	M16x1,5	8	56,9	26	10	23	19	24	2,3	15	35	
K1584.9410154	steel	traffic red RAL 3020	B	with locknut	53,467,8	26,9	19,4	10	M20x1,5	10	62,9	28	12	25	22	30	2,8	15	34	
K1584.19105	stainless steel	black	B	with locknut	31,741,7	17,9	12,9	5	M10x1	5	39	17	7	15	13	17	1,3	5	12	
K1584.19206	stainless steel	black	B	with locknut	31,641,7	17,9	12,9	6	M12x1,5	6	44	20	8	17	14	19	1,8	6	14	
K1584.19308	stainless steel	black	B	with locknut	55,567,8	26,9	19,4	8	M16x1,5	8	56,9	26	10	23	19	24	2,3	15	35	
K1584.19410	stainless steel	black	B	with locknut	53,467,8	26,9	19,4	10	M20x1,5	10	62,9	28	12	25	22	30	2,8	15	34	
K1584.19105154	stainless steel	traffic red RAL 3020	B	with locknut	31,741,7	17,9	12,9	5	M10x1	5	39	17	7	15	13	17	1,3	5	12	
K1584.19206154	stainless steel	traffic red RAL 3020	B	with locknut	31,641,7	17,9	12,9	6	M12x1,5	6	44	20	8	17	14	19	1,8	6	14	
K1584.19308154	stainless steel	traffic red RAL 3020	B	with locknut	55,567,8	26,9	19,4	8	M16x1,5	8	56,9	26	10	23	19	24	2,3	15	35	

Indexing plungers, steel or stainless steel with plastic cam lever

Overview of items

Order No.	Main material	Component colour	Form	Locknut	A	A1	B	B1	D	D1	Travel S	L	L1	L2	L3	SW1	SW2	Fx30°	Spring force initial pressure F1 approx. N	Spring force final pressure F2 approx. N
K1584.19410154	stainless steel	traffic red RAL 3020	B	with locknut	53,4	67,8	26,9	19,4	10	M20x1,5	10	62,9	28	12	25	22	30	2,8	15	34