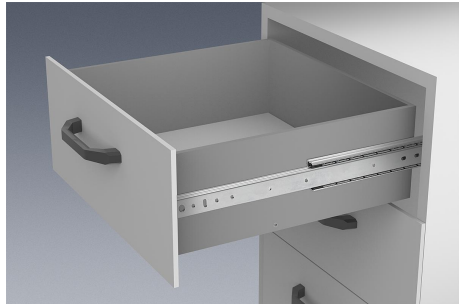


Telescopic slides, steel for side mounting, full extension, load capacity up to 40 kg

Item description/product images



Description

Material:

Slides steel.
Ball cages steel and plastic.
Balls C-steel.

Version:

Slides electro zinc-plated and trivalent blue passivated.
Balls hardened.

Note for ordering:

Supplied in pairs

Note:

On telescopic slides with full extension, the travel is equal to the installed length, which ensures greater comfort and accessibility. Interlocking in closed position. When the release lever is actuated, the drawer can be taken out easily and separated from the guide.

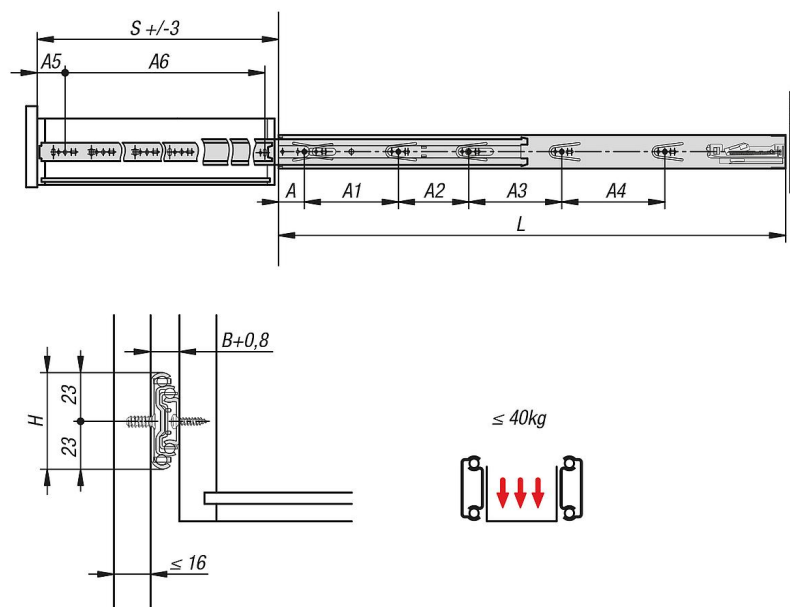
When pushed back, the guide rails are automatically drawn to the end position by the integrated self-closing mechanism.

The dynamic load capacity of the telescopic slides indicates the maximum load rating of a vertically mounted slide pair when the entire extension length is used. The specified load capacities refer to the maximum value for 20,000 cycles.

Note:

The load capacity of all telescopic slides is tested to DIN EN 15338 Level 1.

Drawings



Overview of items

Steel telescopic slides for side mounting, full extension, load capacity up to 40 kg

Telescopic slides, steel for side mounting, full extension, load capacity up to 40 kg

Overview of items

Order No.	A	A1	A2	A3	A4	A5	A6	B	H	L	Travel S	Loading per pair kg
K1575.0300	35	128	-	-	-	35	208	12,7	46	300	270	40
K1575.0350	35	128	-	-	-	35	240	12,7	46	350	350	40
K1575.0400	35	128	96	-	-	35	288	12,7	46	400	400	40
K1575.0450	35	128	96	-	-	35	320	12,7	46	450	450	40
K1575.0500	35	128	96	128	-	35	352	12,7	46	500	500	40
K1575.0550	35	128	96	128	-	35	416	12,7	46	550	550	40
K1575.0600	35	128	96	128	96	35	416	12,7	46	600	600	40
K1575.0650	35	128	96	128	128	35	544	12,7	46	650	650	40
K1575.0700	35	128	96	128	192	35	544	12,7	46	700	700	40