

Tubular handles, plastic, with electronic switch function and one push button, without emergency stop

Item description/product images



Description

Material:

Grip legs PA6 plastic.
Grip tube PVC plastic.

Version:

Grip legs fine textured, black.
Grip tube turned, black.

Note:

Push button (changer)
2 LED's
Plug 8 pin

Plug mounted in the grip leg from the lower tube axis.

Connector with 10 m cable available as accessory. Please order separately.

Rating: IP65 when connector is screwed on.

Optically matching tubular handle without electronic switch function (K1528) available.

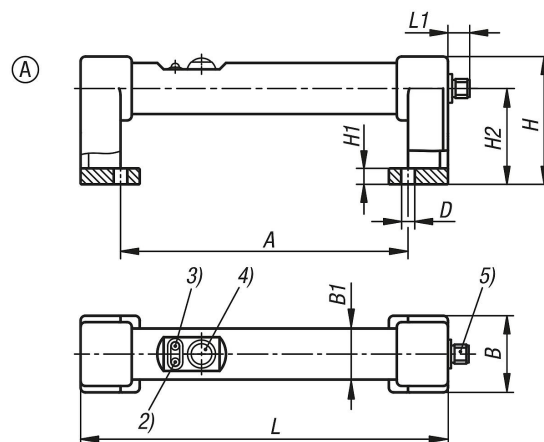
Assembly:

From the front.

Drawing reference:

- 2) Red LED
- 3) Green LED
- 4) Push button
- 5) Connector, M12x1

Drawings



Tubular handles, plastic, with electronic switch function and one push button, without emergency stop**Overview of items**

Order No.	Form	A	B	B1	D	H	H1	H2	L	L1	Load capacity N
K1529.180	A	180	48	32	8,5	80	10	60	230	13	1000