

## Pull handles, plastic, with electronic switch function and one push button, with cable

Item description/product images



### Description

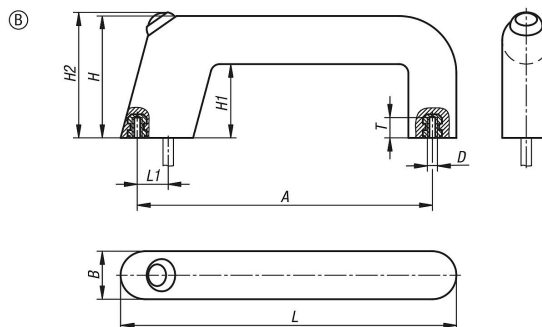
**Material:**  
Plastic PA6.

**Version:**  
Fine texture, black.

**Note:**  
Push button with red or green LED.  
Connection cable, 5 m long, attached to the screw face of the grip leg.  
Rating: IP65.

**Assembly:**  
From the rear.

### Drawings



### Overview of items

Order No.	Form	Component colour	A	B	D	H	H1	H2 max.	L	L1	T	Load capacity N
K1527.21601	B	green	160	26	M6	66	40	70	182	17	10	1000
K1527.21602	B	red	160	26	M6	66	40	70	182	17	10	1000