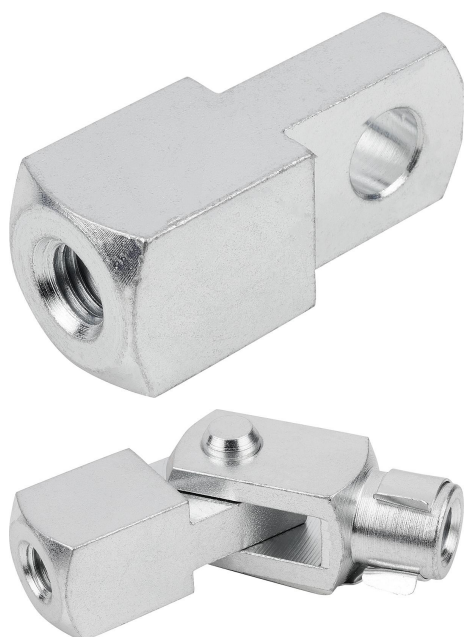


## Clevis tang, steel

### Item description/product images



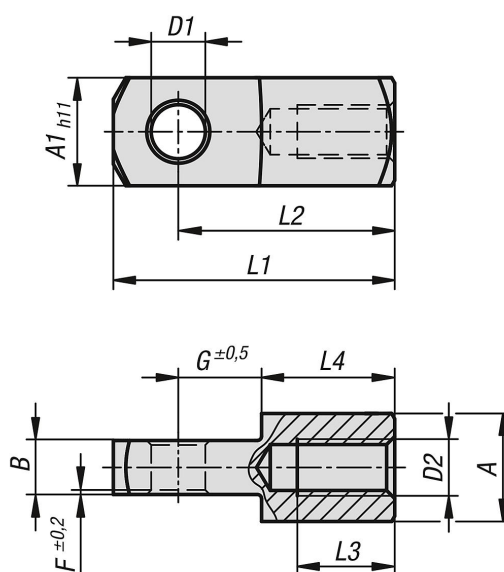
### Description

**Material:**  
Steel.

**Version:**  
Electro zinc-plated.

**Note:**  
The clevis tang can be combined with a DIN 71752 clevis. These items are mainly used when connections are required to compensate for a directional shift in one direction.

### Drawings



### Overview of items

#### Clevis tang, steel

Order No.	A	A1	B	D1	D2	F	G	L1	L2	L3	L4
K1460.0406	8	8	4	4	M4	0,5	6	21	16	6	10
K1460.0507	10	10	5	5	M5	0,5	7,5	26	20	8	12,5
K1460.0609	12	12	6	6	M6	0,5	9	31	24	11	15
K1460.0812	16	16	8	8	M8	0,5	12	42	32	14	20
K1460.1015	20	20	10	10	M10	0,5	15	52	40	18	25
K1460.1218	24	24	12	12	M12	0,5	18	62	48	22	30
K1460.1421	27	27	14	14	M14	1	21	72	56	25	35

**Clevis tang, steel****Overview of items**

Order No.	A	A1	B	D1	D2	F	G	L1	L2	L3	L4
<b>K1460.1624</b>	32	32	16	16	M16	1	24	83	64	30	40