

Cable glands, stainless steel or plastic in Hygienic DESIGN

Item description/product images



Description

Material:

Stainless steel cable gland: Outer part 1.4404, inner part 1.4305.

Plastic cable gland: Polyamide.

Cable gland seal: TPU.

Hose: Polyamide.

Version:

Cable gland: bright stainless steel, transparent plastic.

Hose: coated

Note:

Washers supplied.

EN 60423 metric thread.

IP rating 66, 68 up to 15 bar, 69K.

Tension relief corresponds to EU standard 62444.

EHEDG certified.

Seal insert ADI - free

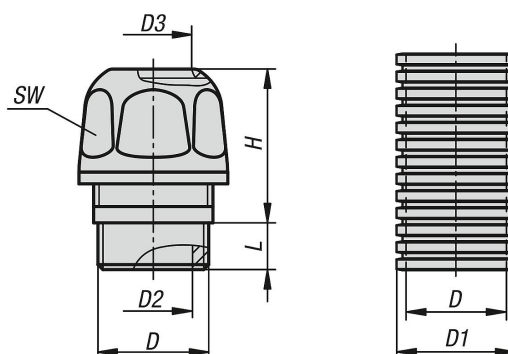
Temperature range:

Stainless steel cable gland: -40 °C to +85 °C.

Plastic cable gland: -20 °C to +85 °C.

Hose: -20 °C to +95 °C.

Drawings



Cable glands, stainless steel or plastic in Hygienic DESIGN

Overview of items

Cable glands, stainless steel or plastic, in Hygienic DESIGN

Order No.	Item	Main material	D	D1	D2	D3	H	SW	L
K1453.12150	Cable gland	stainless steel	M12X1,5	-	8	7-5	19	17	7
K1453.16150	Cable gland	stainless steel	M16x1,5	-	10	9-7	21	20	9
K1453.20150	Cable gland	stainless steel	M20X1,5	-	12,5	12-9	27	24	9
K1453.25150	Cable gland	stainless steel	M25x1,5	-	18,5	18-15	27	30	10
K1453.32150	Cable gland	stainless steel	M32x1,5	-	25,3	23-20	27	36	11
K1453.16151	Cable gland	plastic	M16x1,5	-	10	9-7	25	22	9
K1453.20151	Cable gland	plastic	M20X1,5	-	12,5	12-9	29	26	9
K1453.25151	Cable gland	plastic	M25x1,5	-	18,5	18-15	31	32	10
K1453.32151	Cable gland	plastic	M32x1,5	-	25,3	23-20	32	38	11
K1461.1250	Hose	polyamide	11,8	16	-	-	-	-	50M
K1461.1750	Hose	polyamide	15,6	21,6	-	-	-	-	50M