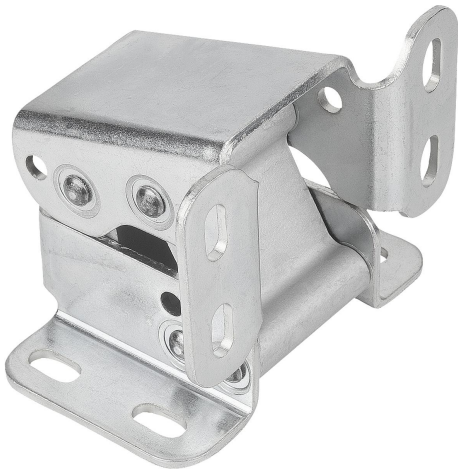


Hinges steel internal, opening angle 110°

Item description/product images



Description

Material:

Steel, pins and connecting elements anodised aluminium.

Version:

Electro zinc-plated.

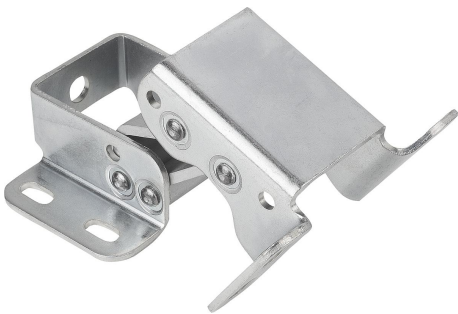
Note:

These hinges are the reinforced version.

When hung on 2 hinges a 25 kg door can be opened and closed 10,000 times.

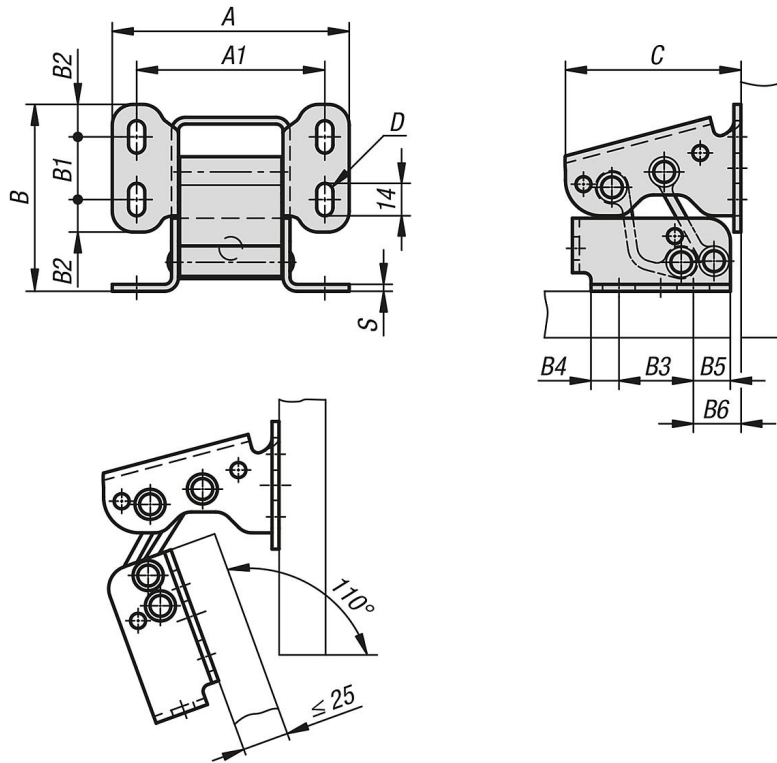
Application:

Invisible hinges for overlapping or inset doors.



Hinges steel internal, opening angle 110°

Drawings



Overview of items

Hinges steel, internal, opening angle 110°

Order No.	A	A1	B	B1	B2	B3	B4	B5	B6	C	D	S
K1449.1028076	102	81	80,5	27	14	32	12	16	20,5	76	7	3