

Hold-down jaw pads with spring blade for NC vice

Item description/product images



Description

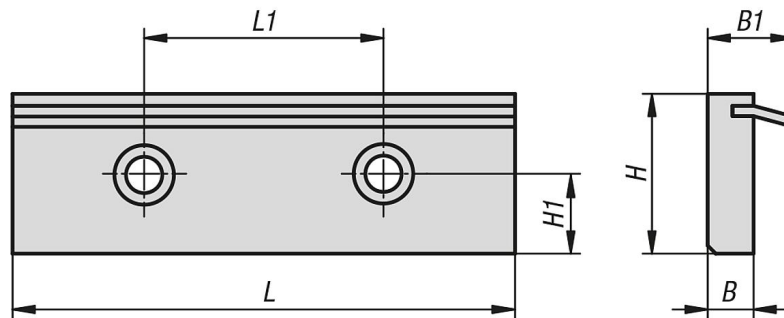
Material:
Steel.

Version:
Hardened.

Note:
The hold-down jaw pads with spring blade are used for clamping rough workpieces. The spring blade exerts extra pressure to the workpiece, forcing it onto the seating face.

Suitable for K1238.125470

Drawings



Overview of items

Hold-down jaw pads with spring blade for NC vice

Order No.	B	B1	H	H1	L	L1
K0601.125	11,5	21,5	43	16	125	80