

Tube clamps, cross, aluminium, Form A

Item description/product images

METRIC
Parts



Description

Material:

Cast aluminium.
Screws and nuts steel.

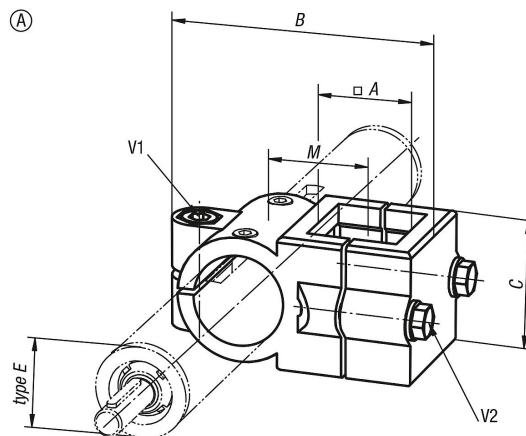
Version:

Black powder-coated.
Clamping screws and nuts electro zinc-plated.

On request:

Clamping levers for tightening.

Drawings



Overview of items

Order No.	Form	Type E	A	B	C	M	V1	V2
K0497.3030	A	30	30	86	45	33	M8x35	M8x35
K0497.4040	A	40	40	117	60	47	M10x50	M8x45