

## Hinge stainless steel

Item description/product images



### Description

**Material:**

Hinge body stainless steel 1.4401.

Pin and retaining rings stainless steel 1.4305.

**Version:**

Satin finished.

**Note:**

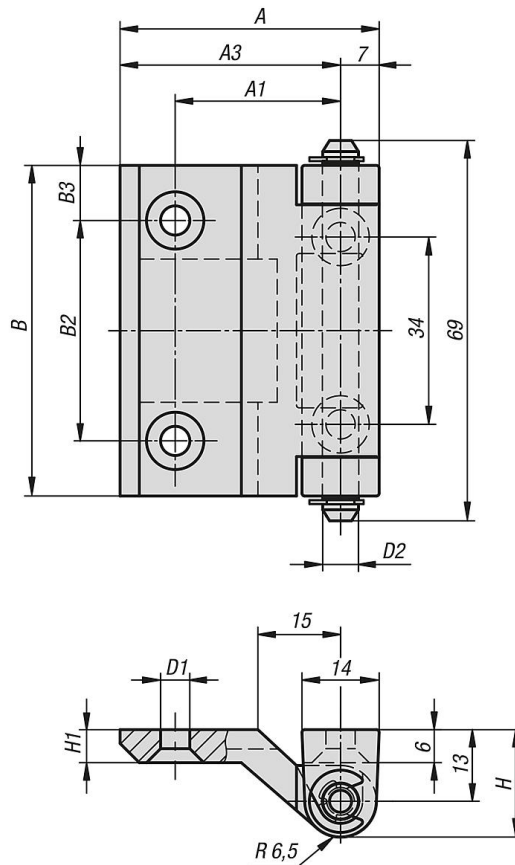
Hinge for flush constructions.

Right or left mounting.

Ideal for mounting on narrow frames.

The opening angle is max. 200°.

### Drawings



### Overview of items

#### Hinge, stainless steel

Order No.	A	A1	A3	B	B2	B3	D1	D2	H	H1
K1348.0540073000	47	30	40	60	40	10	5,3	6,5	19,5	6

