

Handwheels disc, aluminium, without cylinder grip

Item description/product images



Description

Material:

Disc handwheel in aluminium.

Version:

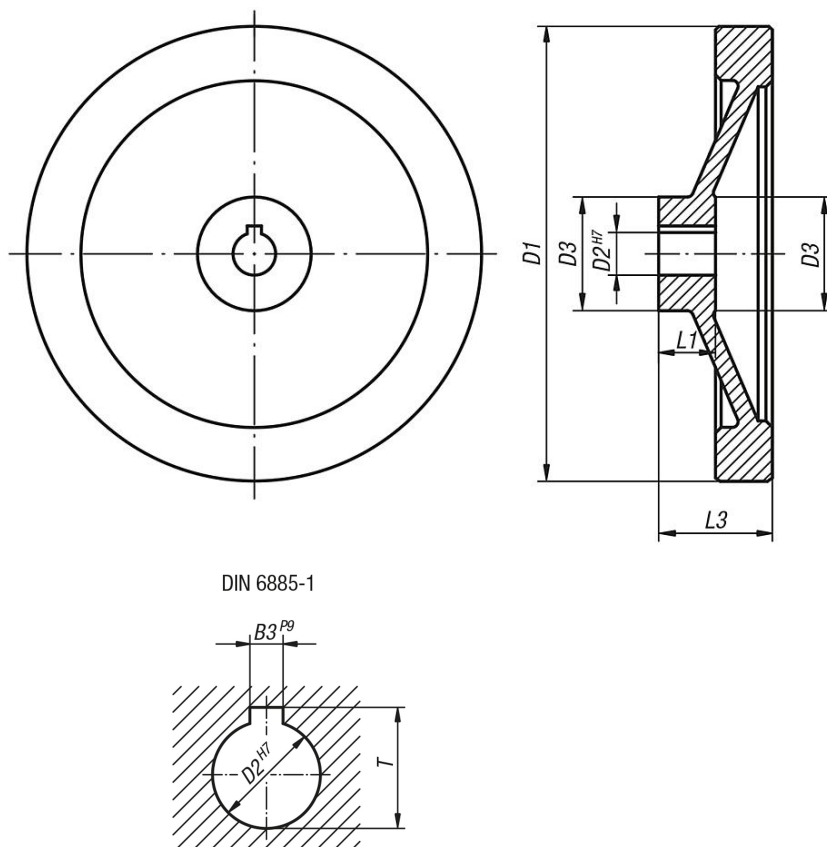
Black, powder-coated.
Wheel rim turned.

On request:

Hubs with square socket.

Drawings

without cylindrical grip



Overview of items

Order No.	Version 1	D1	D2	D3	L1	L3	B3	T
K0161.01080X10	reamed hole	80	10H7	26	16	31	-	-
K0161.01080X12	reamed hole	80	12H7	26	16	31	-	-
K0161.01100X10	reamed hole	100	10H7	31	17	34	-	-
K0161.01100X12	reamed hole	100	12H7	31	17	34	-	-

Handwheels disc, aluminium, without cylinder grip

Overview of items

Order No.	Version 1	D1	D2	D3	L1	L3	B3	T
K0161.01125X12	reamed hole	125	12H7	30	18	37	-	-
K0161.01125X14	reamed hole	125	14H7	30	18	37	-	-
K0161.01140X14	reamed hole	140	14H7	34	19	34	-	-
K0161.01140X15	reamed hole	140	15H7	34	19	34	-	-
K0161.01160X15	reamed hole	160	15H7	40	20	40	-	-
K0161.01160X16	reamed hole	160	16H7	40	20	40	-	-
K0161.01200X18	reamed hole	200	18H7	50	24	46	-	-
K0161.01200X20	reamed hole	200	20H7	50	24	46	-	-
K0161.01250X22	reamed hole	250	22H7	50	28	49	-	-
K0161.01250X24	reamed hole	250	24H7	50	28	49	-	-
K0161.11080X10	reamed hole with slot	80	10H7	26	16	31	3	11,4
K0161.11080X12	reamed hole with slot	80	12H7	26	16	31	4	13,8
K0161.11100X10	reamed hole with slot	100	10H7	31	17	34	3	11,4
K0161.11100X12	reamed hole with slot	100	12H7	31	17	34	4	13,8
K0161.11125X12	reamed hole with slot	125	12H7	30	18	37	4	13,8
K0161.11125X14	reamed hole with slot	125	14H7	30	18	37	5	16,3
K0161.11140X14	reamed hole with slot	140	14H7	34	19	34	5	16,3
K0161.11140X15	reamed hole with slot	140	15H7	34	19	34	5	17,3
K0161.11160X15	reamed hole with slot	160	15H7	40	20	40	5	17,3
K0161.11160X16	reamed hole with slot	160	16H7	40	20	40	5	18,3
K0161.11200X18	reamed hole with slot	200	18H7	50	24	46	6	20,8
K0161.11200X20	reamed hole with slot	200	20H7	50	24	46	6	22,8
K0161.11250X22	reamed hole with slot	250	22H7	50	28	49	6	24,8
K0161.11250X24	reamed hole with slot	250	24H7	50	28	49	8	27,3