

# Handwheels disc, aluminium, with fixed cylinder grip

## Item description/product images



### Description

**Material:**

Disc handwheel aluminium.  
 Cylinder grip black thermoset PF 31-DIN 7708.  
 Hub electro zinc-plated steel.

**Version:**

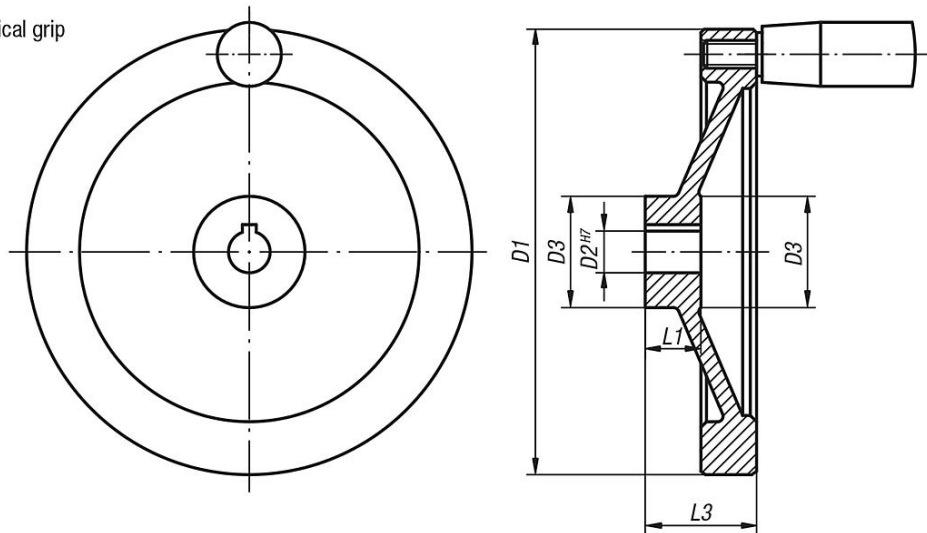
Black, powder-coated.  
 Wheel rim turned.

**On request:**

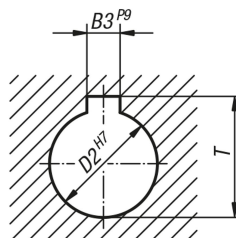
Hubs with square socket.

## Drawings

with fixed cylindrical grip



DIN 6885-1



## Overview of items

Order No.	Version 1	D1	D2	D3	L1	L3	B3	T	Fixed cylinder grip
K0161.21080X10	reamed hole	80	10H7	26	16	31	-	-	ø18 x M6 x 40
K0161.21080X12	reamed hole	80	12H7	26	16	31	-	-	ø18 x M6 x 40
K0161.21100X10	reamed hole	100	10H7	31	17	34	-	-	ø18 x M6 x 40
K0161.21100X12	reamed hole	100	12H7	31	17	34	-	-	ø18 x M6 x 40
K0161.21125X12	reamed hole	125	12H7	30	18	37	-	-	ø21 x M8 x 50

## Handwheels disc, aluminium, with fixed cylinder grip

### Overview of items

Order No.	Version 1	D1	D2	D3	L1	L3	B3	T	Fixed cylinder grip
K0161.21125X14	reamed hole	125	14H7	30	18	37	-	-	ø21 x M8 x 50
K0161.21140X14	reamed hole	140	14H7	34	19	34	-	-	ø21 x M8 x 50
K0161.21140X15	reamed hole	140	15H7	34	19	34	-	-	ø21 x M8 x 50
K0161.21160X15	reamed hole	160	15H7	40	20	40	-	-	ø26 x M10 x 80
K0161.21160X16	reamed hole	160	16H7	40	20	40	-	-	ø26 x M10 x 80
K0161.21200X18	reamed hole	200	18H7	50	24	46	-	-	ø26 x M10 x 80
K0161.21200X20	reamed hole	200	20H7	50	24	46	-	-	ø26 x M10 x 80
K0161.21250X22	reamed hole	250	22H7	50	28	49	-	-	ø28 x M12 x 90
K0161.21250X24	reamed hole	250	24H7	50	28	49	-	-	ø28 x M12 x 90
K0161.31080X10	reamed hole with slot	80	10H7	26	16	31	3	11,4	ø18 x M6 x 40
K0161.31080X12	reamed hole with slot	80	12H7	26	16	31	4	13,8	ø18 x M6 x 40
K0161.31100X10	reamed hole with slot	100	10H7	31	17	34	3	11,4	ø18 x M6 x 40
K0161.31100X12	reamed hole with slot	100	12H7	31	17	34	4	13,8	ø18 x M6 x 40
K0161.31125X12	reamed hole with slot	125	12H7	30	18	37	4	13,8	ø21 x M8 x 50
K0161.31125X14	reamed hole with slot	125	14H7	30	18	37	5	16,3	ø21 x M8 x 50
K0161.31140X14	reamed hole with slot	140	14H7	34	19	34	5	16,3	ø21 x M8 x 50
K0161.31140X15	reamed hole with slot	140	15H7	34	19	34	5	17,3	ø21 x M8 x 50
K0161.31160X15	reamed hole with slot	160	15H7	40	20	40	5	17,3	ø26 x M10 x 80
K0161.31160X16	reamed hole with slot	160	16H7	40	20	40	5	18,3	ø26 x M10 x 80
K0161.31200X18	reamed hole with slot	200	18H7	50	24	46	6	20,8	ø26 x M10 x 80
K0161.31200X20	reamed hole with slot	200	20H7	50	24	46	6	22,8	ø26 x M10 x 80
K0161.31250X22	reamed hole with slot	250	22H7	50	28	49	6	24,8	ø28 x M12 x 90
K0161.31250X24	reamed hole with slot	250	24H7	50	28	49	8	27,3	ø28 x M12 x 90