

# Cable clips with T-slot key, Form B

## Item description/product images



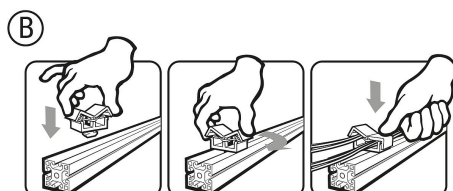
### Description

**Material:**  
Polyamide.  
O-ring FPM 70.

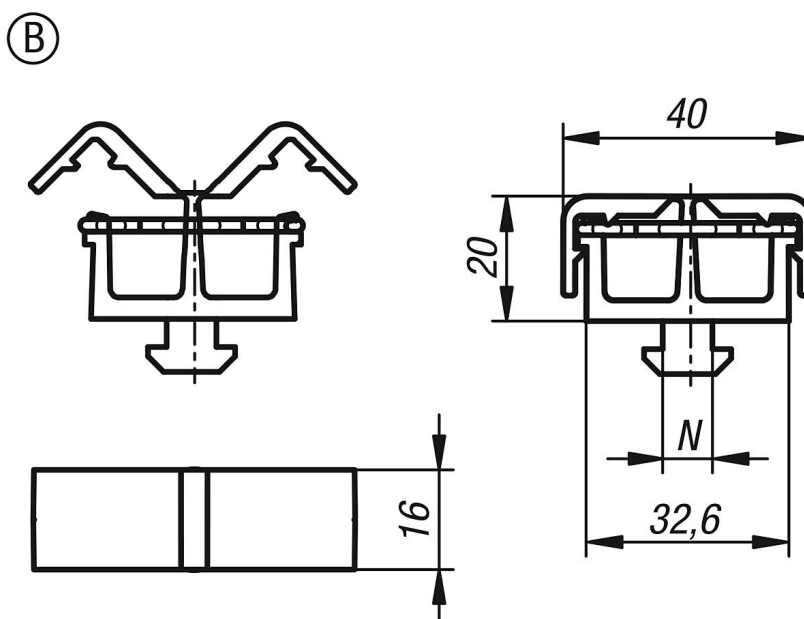
**Version:**  
Black.

**Note:**  
The cable clip is a fastening component for cables and hoses with a diameter up to 12 mm.

The clip is mounted by inserting the T-key into a T-slot and twisting through 90°. The cables are held in place by the stretched O-ring.



## Drawings



## Overview of items

Order No.	Form	Version 2	Slot width	N
K1280.2108	B	type I	8	8
K1280.2208	B	type B	8	8
K1280.2210	B	type B	10	10

