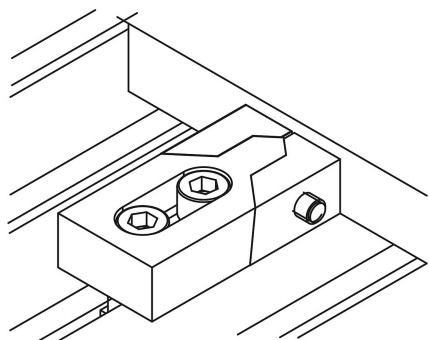
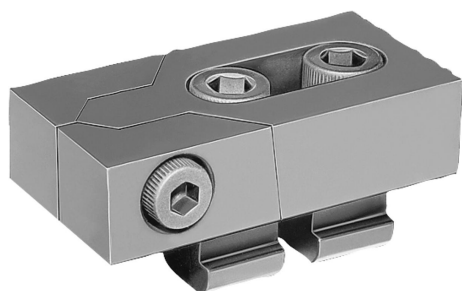


## Low-profile clamps

### Item description/product images



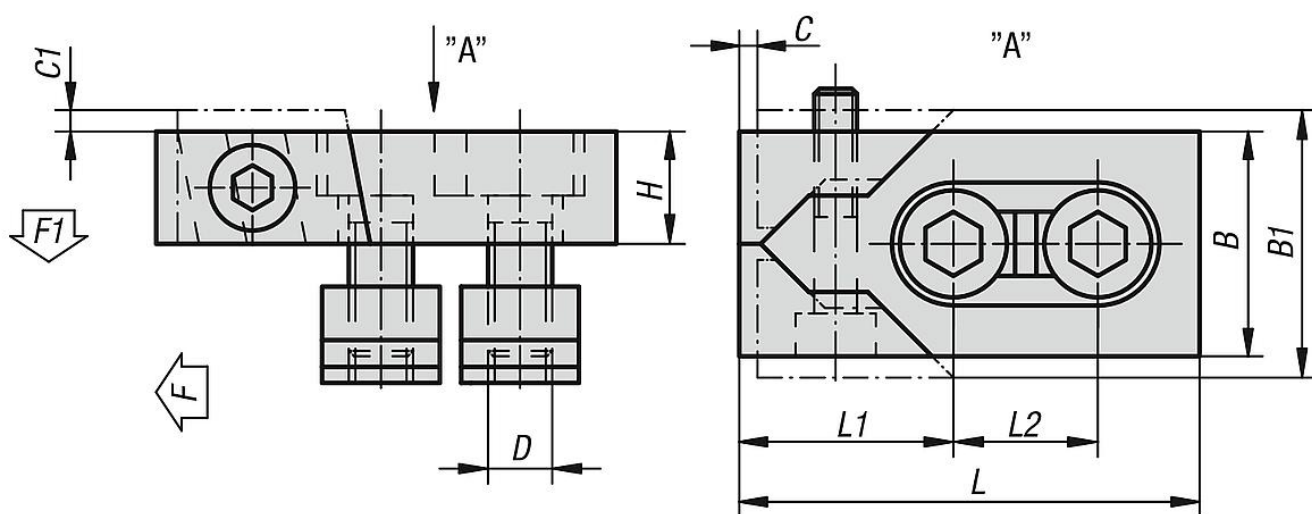
### Description

**Material:**  
Steel.

**Version:**  
Hardened, black oxidised.

**Note:**  
These handy low-profile clamp jaws are ideal for machining most workpiece sizes. The hardened wedge operated jaws also provide positive down force.

### Drawings



### Overview of items

#### Low-profile clamps

Order No.	Slot width	L	L1	L2	B	B1	H	C	C1	D	F kN	F1 kN	Tightening torque max. Nm
K1229.12	12	80	39	26	40	47	20	3	2,5	M10	16	0,6	15
K1229.14	14	80	39	26	40	47	20	3	2,5	M12	22	0,9	18
K1229.18	18	100	46	34	50	60	25	4	3	M16	36	1,4	35
K1229.20	20	100	46	34	50	60	25	4	3	M16	36	1,4	35
K1229.22	22	140	65	50	78	95	30	5	4	M20	36	1,4	45

