

## Spring hinges aluminium profile, 0.7 Nm, spring open

### Item description/product images



### Description

**Material:**

Aluminium 6060 T5.  
End caps PA 6.6.  
Washers POM.

**Version:**

Black anodised.  
Colourless anodised.

**Note:**

These hinges have steel tension springs which enables doors and hatches to open or close automatically.  
Opening angle 180°.

**Spring torque:**

M(0°): 0.7 Nm / M(90°): 0.45 Nm / M(180°): 0.23 Nm

These hinges have a more than 30,000 cycle service life.

Fastened using DIN 912/EN ISO 4762 socket head screws.

**Temperature range:**

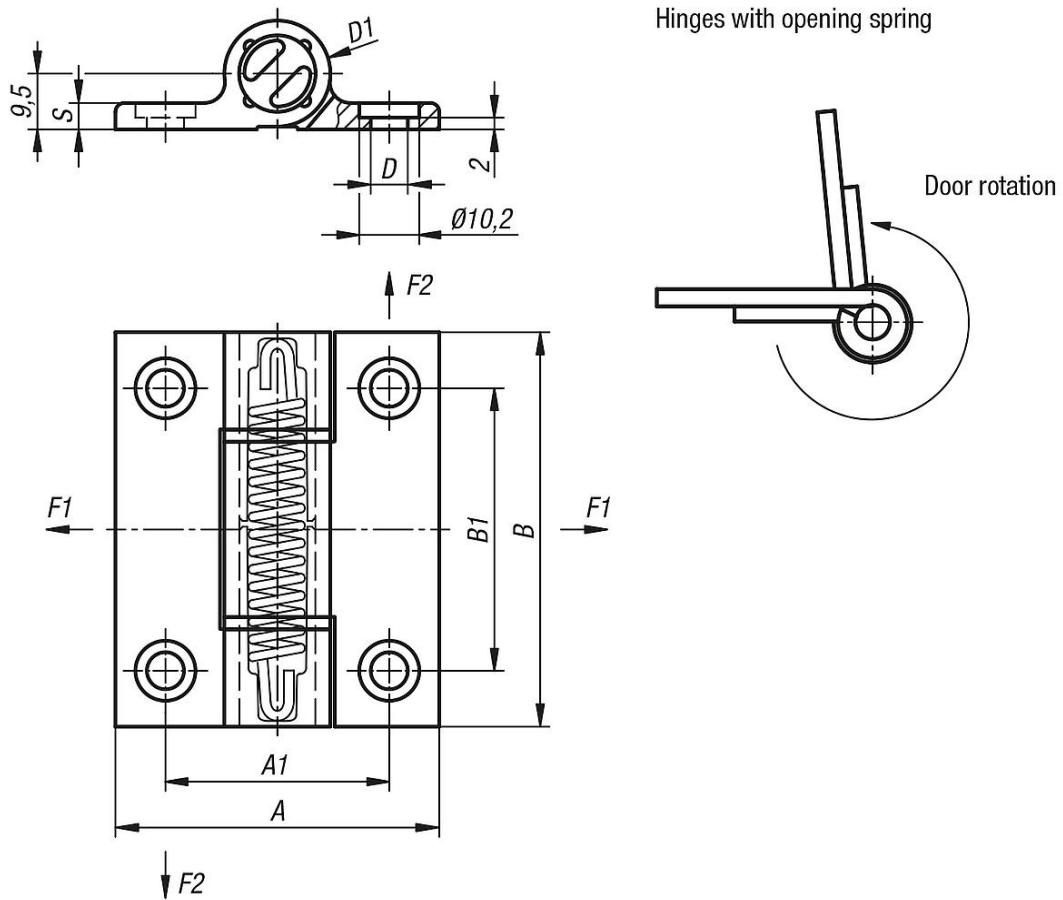
From -20°C to +80°C

**Accessory:**

Socket head screws with hexagon socket DIN 912/EN ISO 4762.

**Spring hinges aluminium profile, 0.7 Nm, spring open**

**Drawings**



**Overview of items**

Order No.	Main colour	Surface finish body	A	A1	B	B1	D	D1	S	F1 N	F2 N
<b>K1180.556701</b>	black	anodised	55	38	67	48	6,3	18	4,5	5000	4200
<b>K1180.55670</b>	colourless	anodised	55	38	67	48	6,3	18	4,5	5000	4200