

Spring hinges, steel, stainless steel or aluminium, 50 mm, spring closed

Item description/product images



Description

Material:

Steel, 1.4301 stainless steel or 5754 aluminium.
Tension spring steel or stainless steel.

Version:

Steel electro zinc-plated
Stainless steel and aluminium, bright.
Tension spring Zn/Al alloy.

Note:

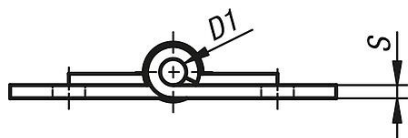
Butt type hinges.
Opening angle 270°.

Spring torque:

M(0°): 0.25 Nm / M(90°): 0.65 Nm / M(180°): 1.1 Nm

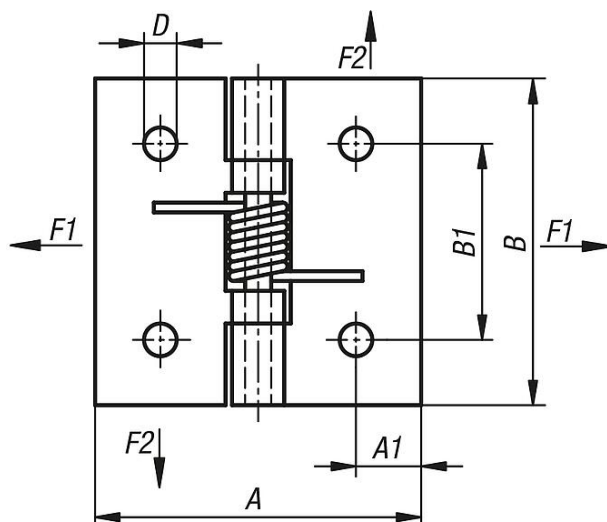
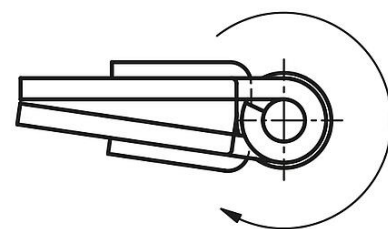
By the aluminum hinges, the tension springs are steel alloyed with Zn/Al.

Drawings



Hinges with closing spring

Door rotation



Spring hinges, steel, stainless steel or aluminium, 50 mm, spring closed**Overview of items**

| Order No. | Main material | A | A1 | B | B1 | D | D1 | S |
|---------------------|--------------------|----|----|----|----|---|----|---|
| K1173.50501 | steel | 50 | 9 | 50 | 30 | 5 | 4 | 2 |
| K1173.150501 | stainless steel A2 | 50 | 10 | 50 | 30 | 5 | 4 | 2 |
| K1173.250501 | aluminium | 50 | 9 | 50 | 30 | 5 | 4 | 2 |