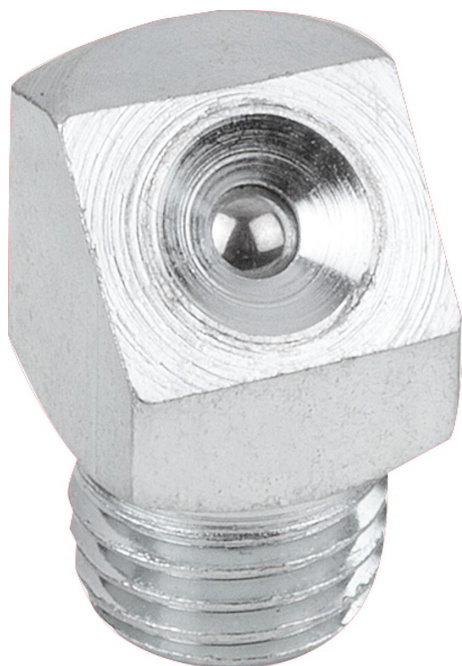


Flush type grease nipples DIN 3405, Form B, 45°

Item description/product images



Description

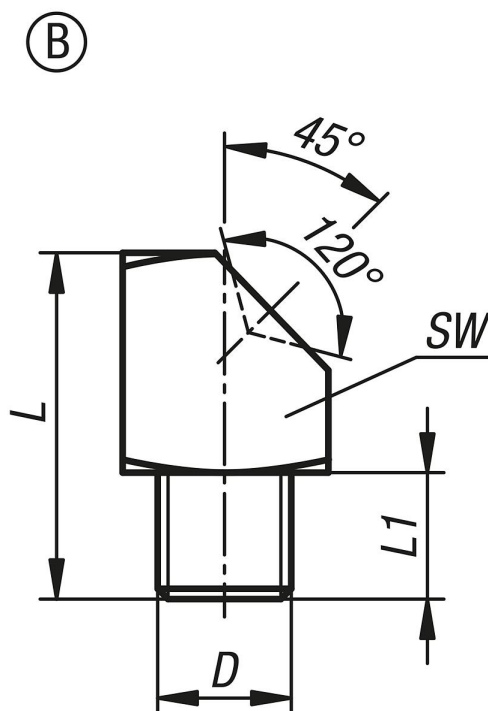
Version:

Electro zinc-plated.

Note:

Flush type grease nipples are particularly suitable for flush or recessed installation. By using flush type nipples, the required lubrication can also be carried out on points with poor accessibility.

Drawings



Overview of items

Order No.	Form	Main material	Version 2	D	L	L1	SW
K1134.1206100	B	steel	square	M6x1	15	5,5	9
K1134.1208100	B	steel	square	M8x1	15	5,5	9
K1134.1208125	B	steel	square	M8x1,25	15	5,5	9
K1134.1210100	B	steel	square	M10x1	15	5,5	11
K1134.1218	B	steel	square	R1/8	15	5,5	11

