

Grease nipples conical head DIN 71412, Form D, 45°, square

Item description/product images



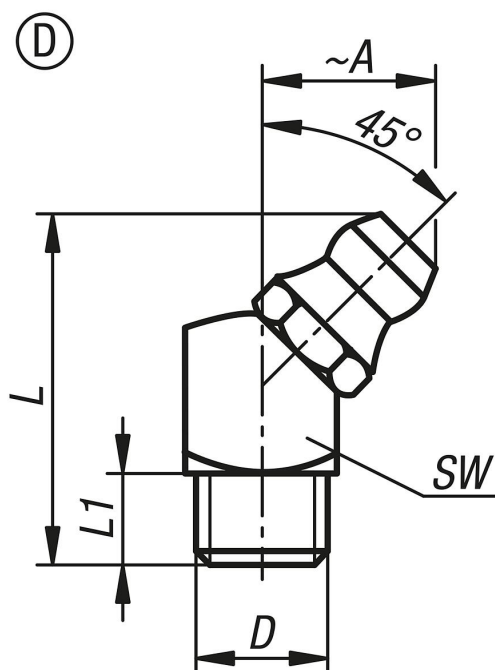
Description

Material:
Steel.

Version:
Steel hardened to min. 550 HV 1 and electro zinc-plated.

Note:
The conical head grease nipples have a tapered thread. They are suitable for grease points which must be lubricated often and reliably. Their versatility makes them the most widespread type of grease nipple.

Drawings



Overview of items

Order No.	Form	Form definition	Main material	A	D	L max.	L1	SW
K1132.1406100	D	angled 45° with square	steel	10,5	M6X1	20,5	5,5	9
K1132.1408100	D	angled 45° with square	steel	10,5	M8X1	20,5	5,5	9
K1132.1408125	D	angled 45° with square	steel	10,5	M8X1,25	20,5	5,5	9
K1132.1410100	D	angled 45° with square	steel	11	M10X1	20,5	5,5	11
K1132.1418	D	angled 45° with square	steel	11	R1/8	20,5	5,5	11

