

Triangular grip 2K ergonomic with external thread

Item description/product images



Description

Material:

Hard components fibreglass reinforced plastic.
Soft components thermoplastic elastomer.
Screws steel grade 5.8 or stainless steel 1.4305.

Version:

Steel trivalent blue passivated.
Stainless steel, bright.

Note:

The colour combinations
graphite black RAL 9011 (hard components) and
black grey RAL 7021 (soft components)
are supplied as standard.

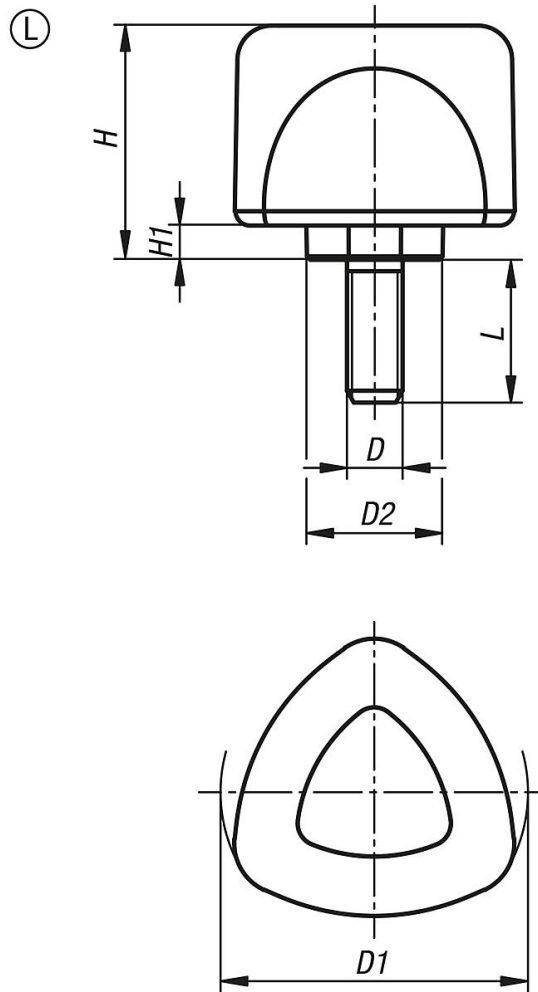
The soft components ensure a non-slip grip of the operating part. The closed design offers sufficient protection against dirt.

On request:

Further colour combinations.

Triangular grip 2K ergonomic with external thread

Drawings



Overview of items

Order No.	Form	Component material	D	D1	D2	H	H1	L
K0980.5008X20	L	steel	M8	53,8	23,9	41	6	20
K0980.5008X25	L	steel	M8	53,8	23,9	41	6	25
K0980.5008X30	L	steel	M8	53,8	23,9	41	6	30
K0980.5008X40	L	steel	M8	53,8	23,9	41	6	40
K0980.5010X20	L	steel	M10	53,8	23,9	41	6	20
K0980.5010X25	L	steel	M10	53,8	23,9	41	6	25
K0980.5010X30	L	steel	M10	53,8	23,9	41	6	30
K0980.5010X40	L	steel	M10	53,8	23,9	41	6	40
K0980.6308X20	L	steel	M8	67,7	23,9	36	6	20
K0980.6308X25	L	steel	M8	67,7	23,9	36	6	25
K0980.6308X30	L	steel	M8	67,7	23,9	36	6	30
K0980.6308X40	L	steel	M8	67,7	23,9	36	6	40
K0980.6310X20	L	steel	M10	67,7	23,9	36	6	20
K0980.6310X25	L	steel	M10	67,7	23,9	36	6	25
K0980.6310X30	L	steel	M10	67,7	23,9	36	6	30
K0980.6310X40	L	steel	M10	67,7	23,9	36	6	40
K0980.05008X20	L	stainless steel	M8	53,8	23,9	41	6	20
K0980.05008X25	L	stainless steel	M8	53,8	23,9	41	6	25
K0980.05008X30	L	stainless steel	M8	53,8	23,9	41	6	30
K0980.05008X40	L	stainless steel	M8	53,8	23,9	41	6	40
K0980.05010X20	L	stainless steel	M10	53,8	23,9	41	6	20
K0980.05010X25	L	stainless steel	M10	53,8	23,9	41	6	25
K0980.05010X30	L	stainless steel	M10	53,8	23,9	41	6	30

Triangular grip 2K ergonomic with external thread

Overview of items

Order No.	Form	Component material	D	D1	D2	H	H1	L
K0980.05010X40	L	stainless steel	M10	53,8	23,9	41	6	40
K0980.06308X20	L	stainless steel	M8	67,7	23,9	36	6	20
K0980.06308X25	L	stainless steel	M8	67,7	23,9	36	6	25
K0980.06308X30	L	stainless steel	M8	67,7	23,9	36	6	30
K0980.06308X40	L	stainless steel	M8	67,7	23,9	36	6	40
K0980.06310X20	L	stainless steel	M10	67,7	23,9	36	6	20
K0980.06310X25	L	stainless steel	M10	67,7	23,9	36	6	25
K0980.06310X30	L	stainless steel	M10	67,7	23,9	36	6	30
K0980.06310X40	L	stainless steel	M10	67,7	23,9	36	6	40