

Star grips similar to DIN 6336, aluminium, Form L, with external thread

Item description/product images



Description

Material:

Aluminium.

Grub screw stainless steel 1.4305.

Pin stainless steel 1.4310.

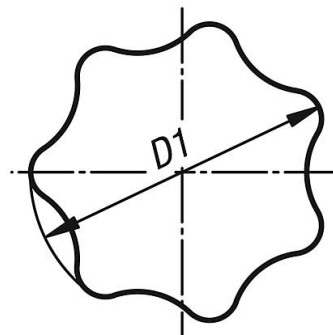
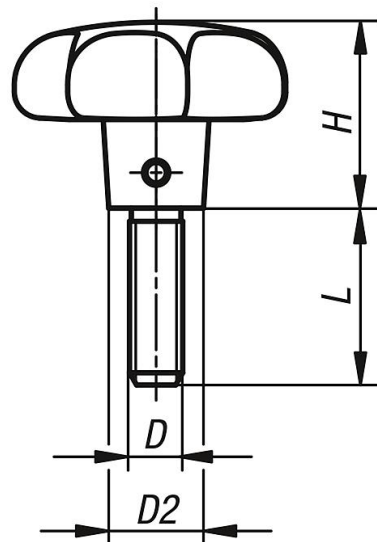
Version:

Star grip vibratory ground.

Grub screw and pin bright.

Drawings

Ⓛ



Overview of items

Order No.	Form	Surface finish body	D	D1	D2	H	L
K0149.64008X20	L	tumbled	M8	40	14	25	20

Star grips similar to DIN 6336, aluminium, Form L, with external thread**Overview of items**

Order No.	Form	Surface finish body	D	D1	D2	H	L
K0149.64008X25	L	tumbled	M8	40	14	25	25
K0149.64008X30	L	tumbled	M8	40	14	25	30
K0149.64008X40	L	tumbled	M8	40	14	25	40
K0149.65010X25	L	tumbled	M10	50	18	32	25
K0149.65010X30	L	tumbled	M10	50	18	32	30
K0149.65010X40	L	tumbled	M10	50	18	32	40
K0149.65010X50	L	tumbled	M10	50	18	32	50
K0149.66312X30	L	tumbled	M12	63	20	40	30
K0149.66312X40	L	tumbled	M12	63	20	40	40
K0149.66312X50	L	tumbled	M12	63	20	40	50
K0149.66312X60	L	tumbled	M12	63	20	40	60