

Compression latches

Item description/product images



Description

Material:

Housing and actuator die-cast zinc.

Flat seal rubber.

Version:

Housing and actuator chrome-plated.

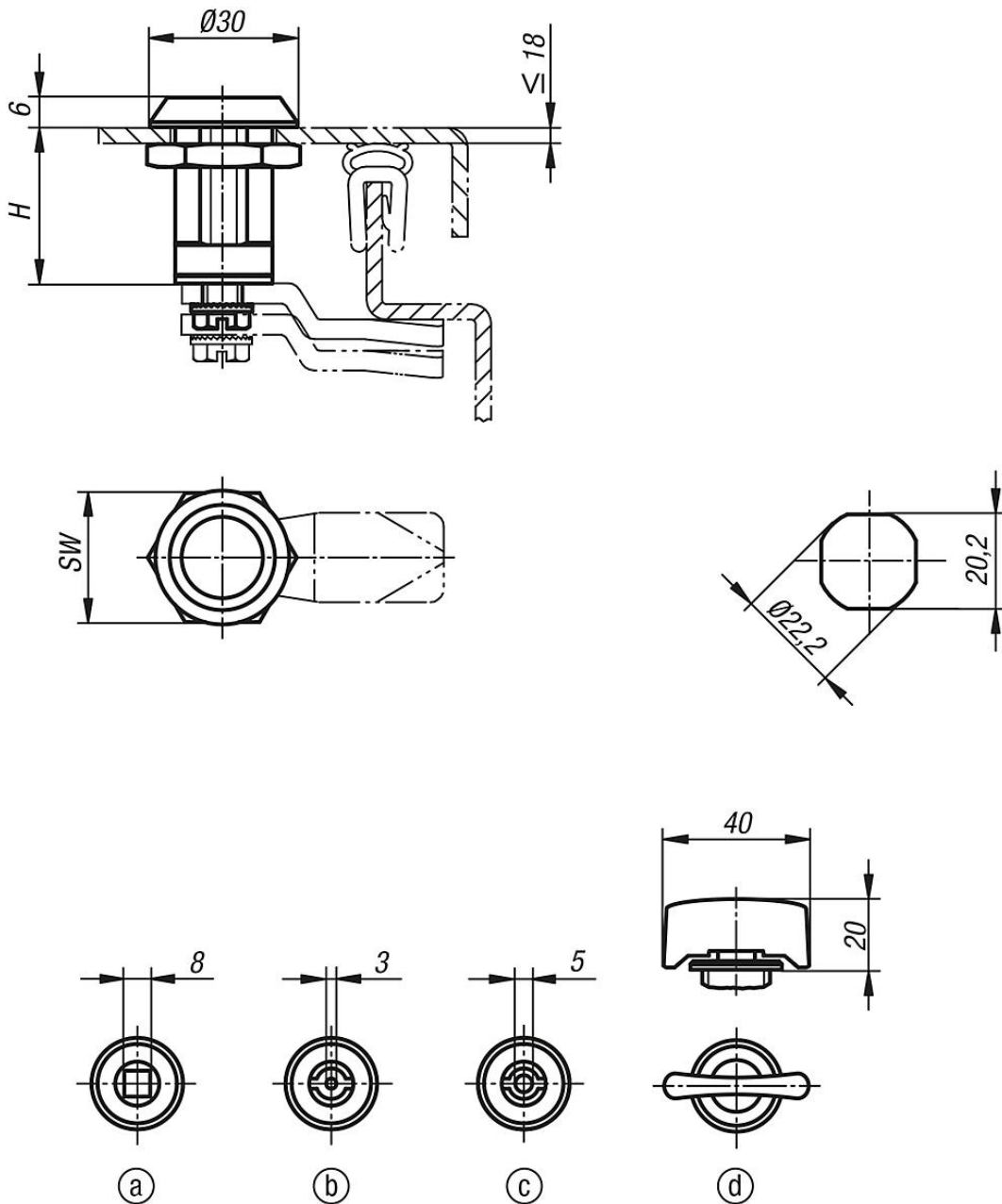
Note:

Compression latches are primarily used for doors and housings that require a high pressure on the seal. Right or left deployment. The locking direction is always clockwise.

Vibration-proof, water and dust tight according to IP65.

Compression latches

Drawings



Overview of items

Order No.	Actuation	H	SW
K0529.18321	square 8 mm	32	27
K0529.30321	wing grip	32	27
K0529.43321	double lug 3 mm	32	27
K0529.45321	double lug 5 mm	32	27

