

## Tube clamps base, stainless steel, Form B

### Item description/product images



### Description

**Material:**  
Electropolished.

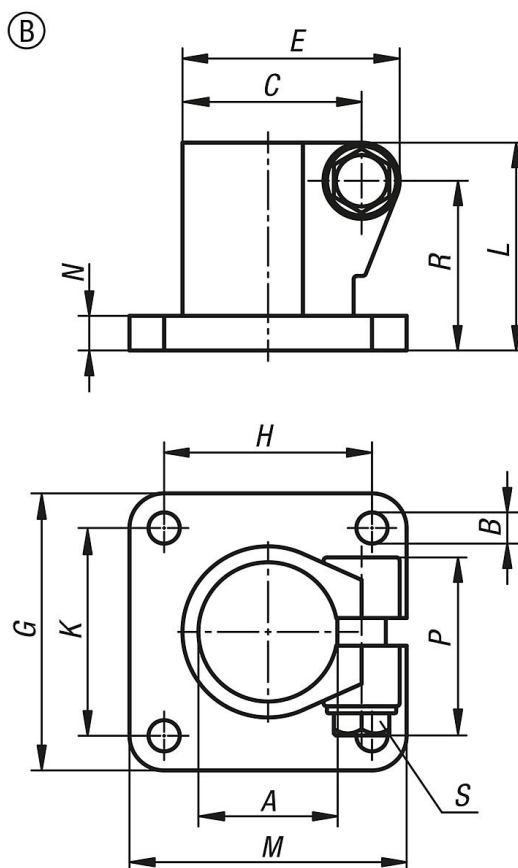
**Version:**  
Clamping levers for tightening.

**Note:**  
Stainless steel investment cast 1.4308.  
ISO 4017 hex head screw and ISO 4032 nut, stainless steel.

**On request:**  
- Round and square tubes K0493

**Accessory:**  
The tube clamps with diameters 30 and 40 mm have a silicone sleeve that protects the thread of the hex head screw from contamination and damage.

### Drawings



### Overview of items

#### Tube clamps base, stainless steel

## Tube clamps base, stainless steel, Form B

### Overview of items

Order No.	Form	A	B	C	D	E	G	H	K	L	M	N	P	R	S
K0477.130	B	30,1	7	39	37,4	48	60	40	40	50	60	7	45.5	41	M8x30
K0477.140	B	40,17	9	51,7	49,4	63	80	60	60	60	80	10	52	48,7	M10x35