

## Shaft collars one-piece, with clamping lever

### Item description/product images



### Description

#### Material:

Steel 1.0718.

Stainless steel 1.4305.

#### Version:

Steel black oxidised.

Stainless steel bright.

Insert stainless-steel.

#### Note:

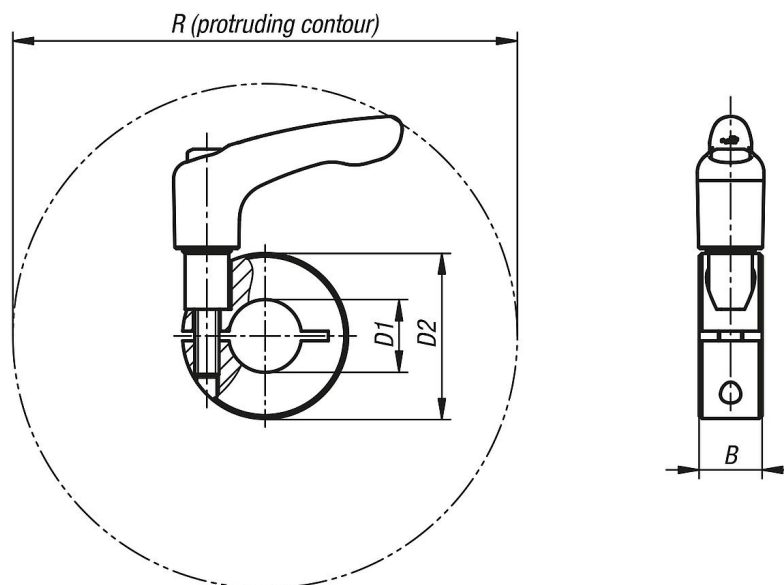
One-piece shaft collars surround the shaft with an equal distribution of the clamping force. This leads to a very precise fit and high retaining force without damaging the shaft.

The shaft tolerance should lie within h11.

#### On request:

Other dimensions.

### Drawings



### Overview of items

#### Shaft collars, one-piece, with clamping lever

Order No.	Main material	B	D1	D2	R
K0611.11001	steel	9	10	24	44,1
K0611.11201	steel	11	12	28	90,4
K0611.11501	steel	13	15	34	105
K0611.11601	steel	13	16	34	105
K0611.11801	steel	13	18	36	105,7
K0611.12001	steel	15	20	40	103,8
K0611.12201	steel	15	22	42	104,2

## Shaft collars one-piece, with clamping lever

### Overview of items

Order No.	Main material	B	D1	D2	R
K0611.12501	steel	15	25	45	104,8
K0611.12801	steel	15	28	48	106,8
K0611.13001	steel	15	30	54	112,6
K0611.14001	steel	15	40	60	113,2
K0611.15001	steel	19	50	78	150,2
K0611.11002	stainless steel	9	10	24	44,1
K0611.11202	stainless steel	11	12	28	90,4
K0611.11502	stainless steel	13	15	34	105
K0611.11602	stainless steel	13	16	34	105
K0611.11802	stainless steel	13	18	36	105,7
K0611.12002	stainless steel	15	20	40	103,8
K0611.12202	stainless steel	15	22	42	104,2
K0611.12502	stainless steel	15	25	45	104,8
K0611.12802	stainless steel	15	28	48	106,8
K0611.13002	stainless steel	15	30	54	112,6
K0611.14002	stainless steel	15	40	60	113,2
K0611.15002	stainless steel	19	50	78	150,2