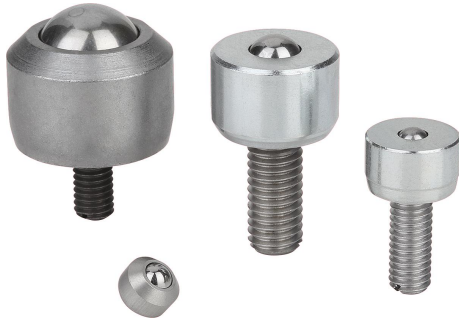


Ball transfer units mini

Item description/product images



Description

Material:

Steel version:
 Load ball steel.
 Bearing balls steel.
 Housing electro zinc-plated steel.
 Cover electro zinc-plated steel.

Stainless steel version:

Load ball stainless steel.
 Bearing balls stainless steel.
 Housing stainless steel.
 Cover aluminium.

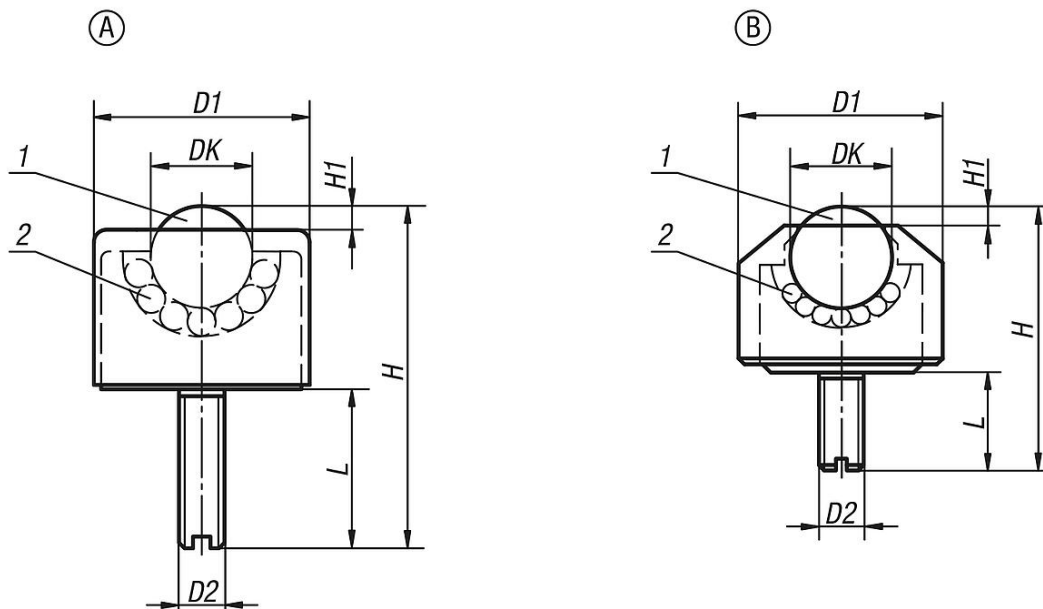
Note:

The ball transfer units comprise a housing with integrated bearing shell, a cover, a load ball and several supporting balls. For use in measuring instruments, material conveyance in clean rooms and miniature mechanisms.

Drawing reference:

- 1) load ball
- 2) bearing balls

Drawings



Overview of items

Ball transfer units mini

Order No.	Form	Main material	DK	D1	D2	H	H1	L	Load rating C (N)
K0749.1105	A	steel	4,8	13	M6	24	1	15	100

Ball transfer units mini

Overview of items

Order No.	Form	Main material	DK	D1	D2	H	H1	L	Load rating C (N)
K0749.1106	A	steel	6,4	17	M6	26	2	15	200
K0749.1108	A	steel	7,9	18	M8	32	2	18	300
K0749.1110	A	steel	9,6	23	M8	40	2	20	400
K0749.1113	A	steel	12,7	28	M8	48	3,5	23	500
K0749.1216	B	steel	15,8	24	M6	32,5	4	12	700
K0749.2205	B	stainless steel	4,8	8	M2	8,5	1	2,5	50
K0749.2206	B	stainless steel	6,4	13	M3	16,5	2	6	100
K0749.2208	B	stainless steel	7,9	15	M4	20,5	2	8	150